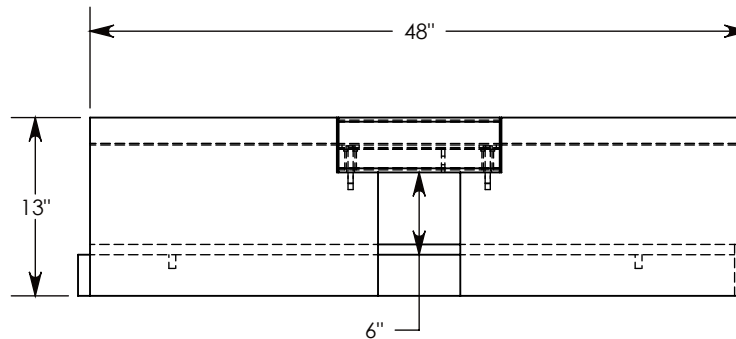


3/8-16 UNC X 2.50" LG HEX HD BOLT, GRADE 8  
P/N: HHB.38-2.5G8 QTY: 2

3/8" STD WASHER - 1" OD  
P/N: WSR.38-1 QTY: 2

FRP TOP RAIL

REMOVABLE COVER  
SUPPORT RAIL  
P/N: CST2-6



AASHTO H-20 RATED – 32,000 LB. SINGLE AXLE LOAD

**DRAWN BY: ROSS LAGER**

**DATE: 11/2/2018**

**REVISION LEVEL: A**

**WEIGHT:**

**409 LBS.**

**MATERIAL:**

**NOTED**

**CONCAST**  
1010 NORTH STAR DRIVE  
P.O. BOX 69  
ZUMBROTA, MN 55992-0069

**DESCRIPTION:**

**HEAVY TRAFFIC UNIVERSAL CHANNEL**

DIMENSIONS ARE IN INCHES  
TOLERANCES:  
FRACTIONAL: ± 1/8"  
ANGULAR: ± 2°

CONTACT INFORMATION:  
EMAIL: INFO@CONCASTINC.COM  
PHONE: (507) 732-4095  
FAX: (507) 732-4094

SHEET 1 OF 1

**PART NUMBER:**

**HTFU0608 (06X0)**