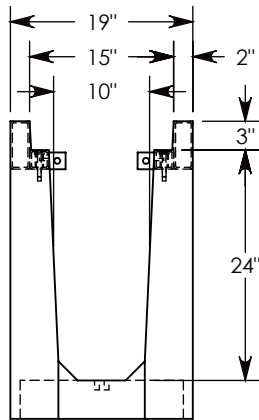
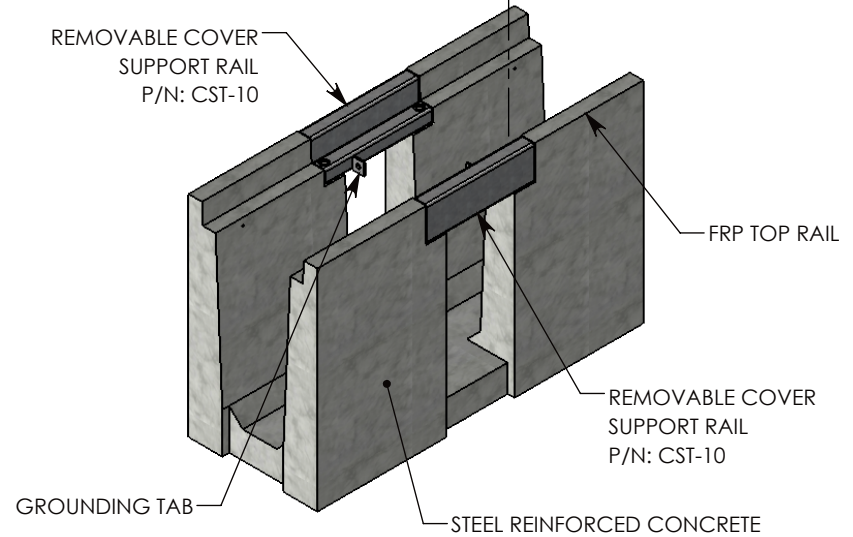


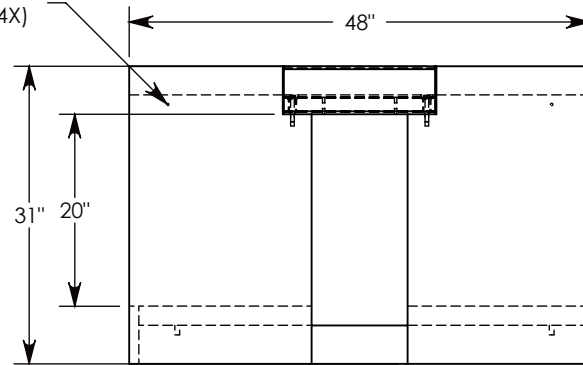
3/8-16 UNC X 2.50" LG HEX HD BOLT, GRADE 8  
P/N: HHB.38-2.5G8 QTY: 4

3/8" STD WASHER - 1" OD  
P/N: WSR.38-1 QTY: 4

REMOVABLE COVER  
SUPPORT RAIL  
P/N: CST-10



Ø 1/4" INSERT FOR  
CABLE CLIPS (4X)



AASHTO H-20 RATED - 32,000 LB. SINGLE AXLE LOAD

**DRAWN BY:** SAMUEL CALLAHAN

**DATE:** 7/26/2019

**REVISION LEVEL:** A

**WEIGHT:**

1041 LBS.

**MATERIAL:**

NOTED



**DESCRIPTION:**

**HEAVY TRAFFIC UNIVERSAL CHANNEL**

DIMENSIONS ARE IN INCHES  
TOLERANCES:  
FRACTIONAL: ± 1/8"  
ANGULAR: ± 2°

CONTACT INFORMATION:  
EMAIL: INFO@CONCASTINC.COM  
PHONE: (507) 732-4095  
FAX: (507) 732-4094

SHEET 1 OF 1

**PART NUMBER:**

**HTFU1024 (10X10)**