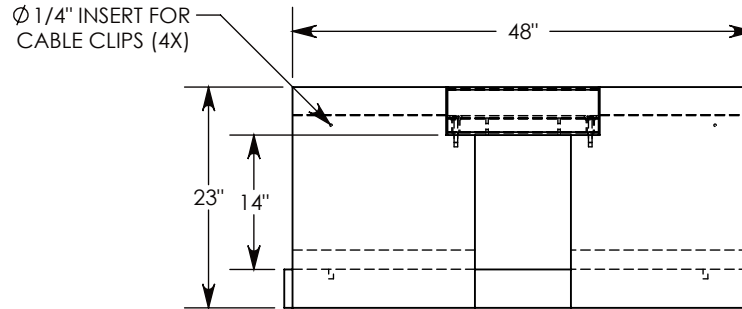
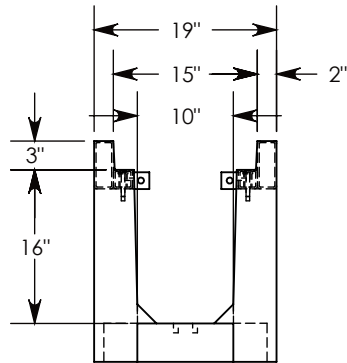
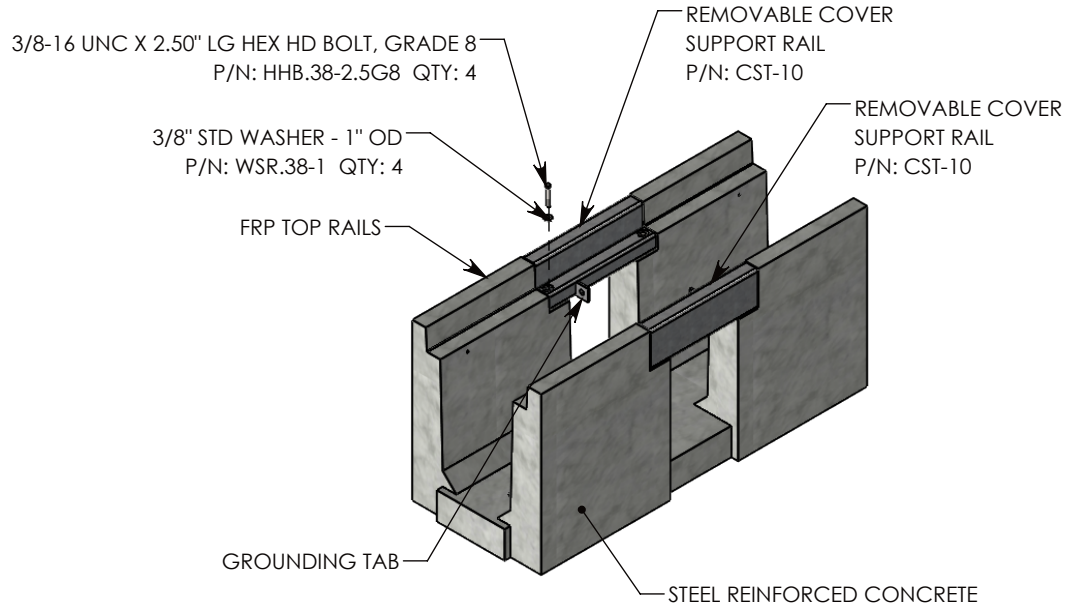
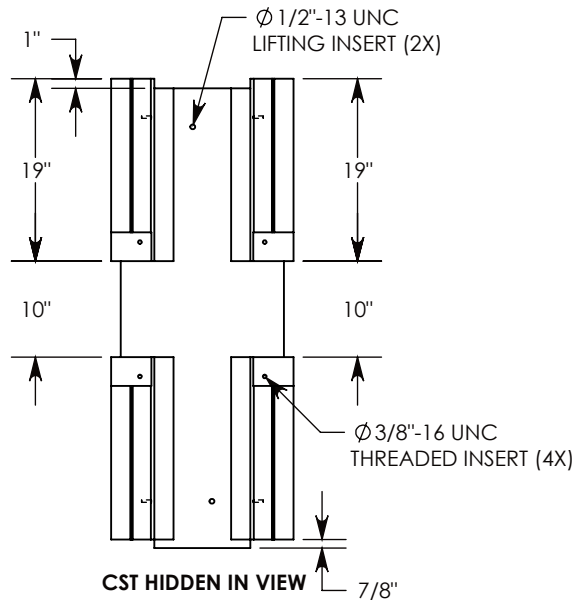


REV. A - RAL - 2/6/2018 - UPDATED THE COVER SUPPORT RAIL
 REV. B - SIC - 7/25/2019 - UPDATED VIEWS AND DIMENSIONS; ADDED 1/4" CABLE CLIP INSERTS



AASHTO H-20 RATED – 32,000 LB. SINGLE AXLE LOAD

DRAWN BY: ROSS LAGER	
DATE: 7/25/2019	REVISION LEVEL: B
WEIGHT: 795 LBS.	MATERIAL: NOTED



CONCAST
 1010 NORTH STAR DRIVE
 P.O. BOX 69
 ZUMBROTA, MN 55992-0069

DESCRIPTION: HEAVY TRAFFIC UNIVERSAL CHANNEL		SHEET 1 OF 1
DIMENSIONS ARE IN INCHES TOLERANCES: FRACTIONAL: ± 1/8" ANGULAR: ± 2°	CONTACT INFORMATION: EMAIL: INFO@CONCASTINC.COM PHONE: (507) 732-4095 FAX: (507) 732-4094	
PART NUMBER: HTFU1016 (10X10)		