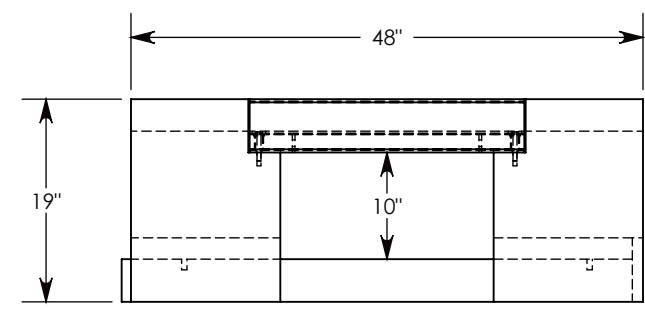
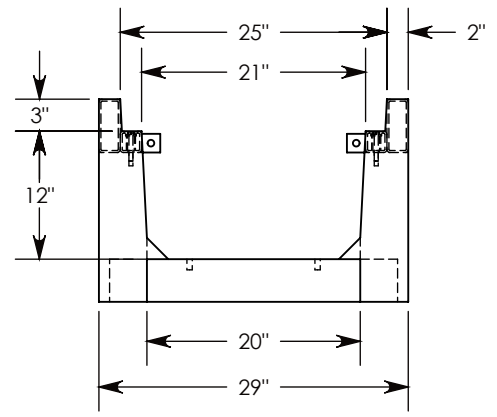
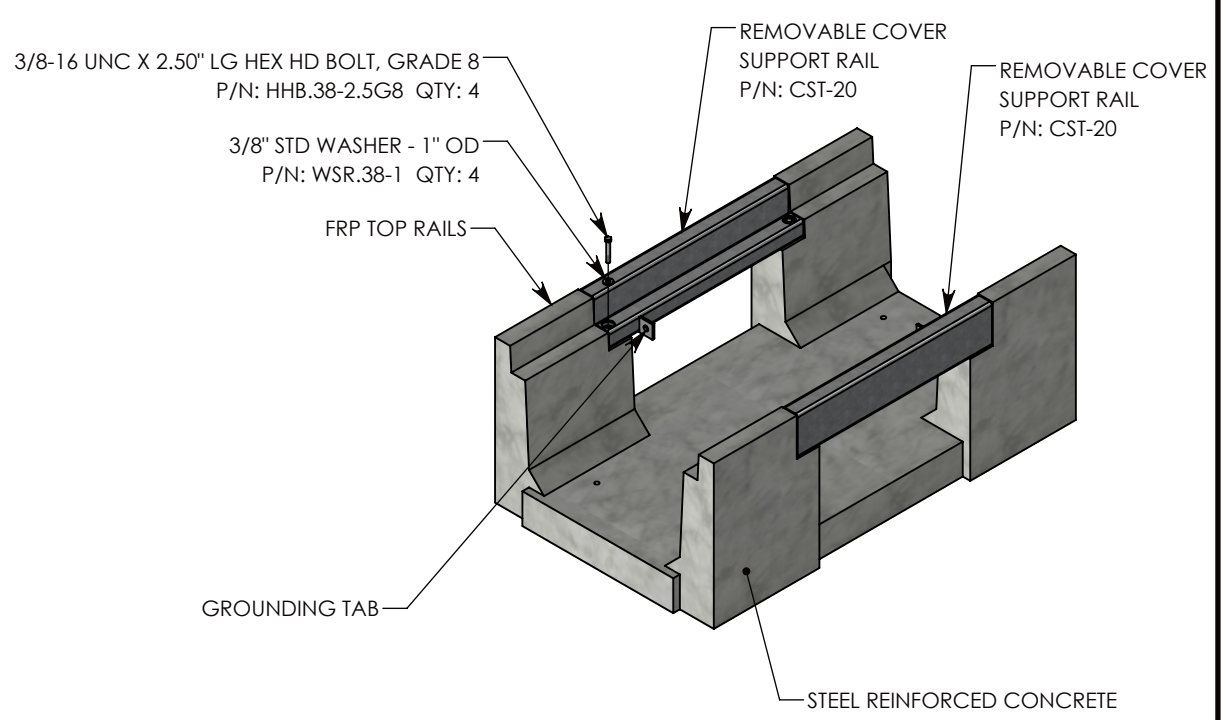


CST HIDDEN IN VIEW



AASHTO H-20 RATED – 32,000 LB. SINGLE AXLE LOAD

<b>DRAWN BY: ROSS LAGER</b>	
<b>DATE: 5/31/2018</b>	<b>REVISION LEVEL: 0</b>
<b>WEIGHT: 757 LBS.</b>	<b>MATERIAL: NOTED</b>



**CONCAST**  
 1010 NORTH STAR DRIVE  
 P.O. BOX 69  
 ZUMBROTA, MN 55992-0069

<b>DESCRIPTION:</b> <b>HEAVY TRAFFIC UNIVERSAL CHANNEL</b>		
DIMENSIONS ARE IN INCHES TOLERANCES: FRACTIONAL: ± 1/8" ANGULAR: ± 2°	CONTACT INFORMATION: EMAIL: INFO@CONCASTINC.COM PHONE: (507) 732-4095 FAX: (507) 732-4094	SHEET 1 OF 1
<b>PART NUMBER:</b> <b>HTFU2012 (20X20)</b>		