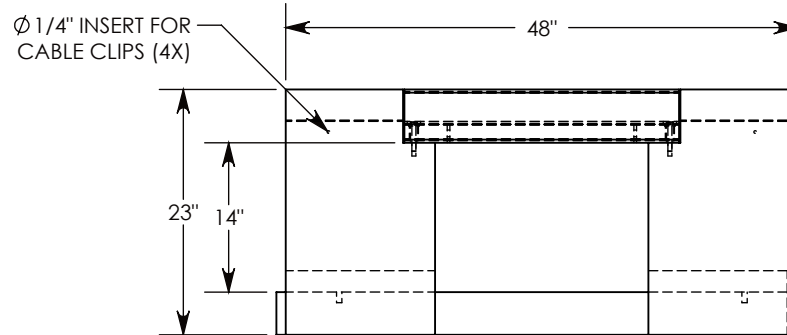
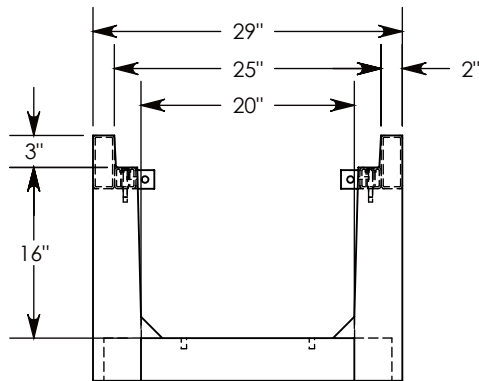
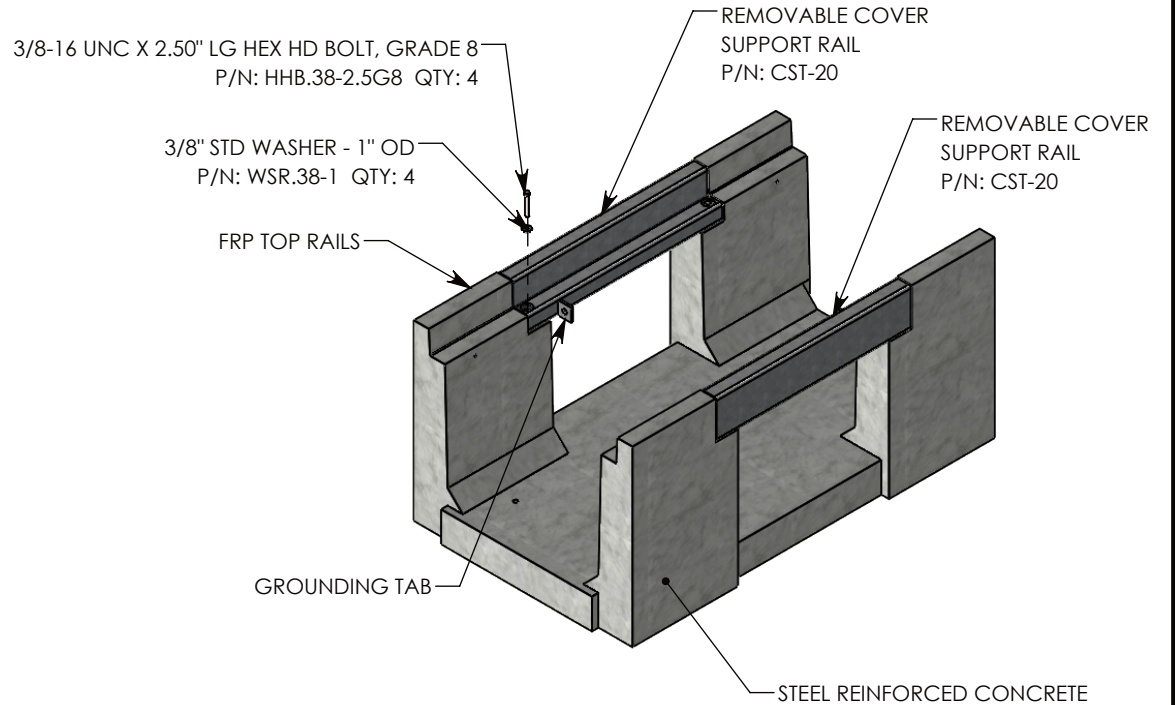
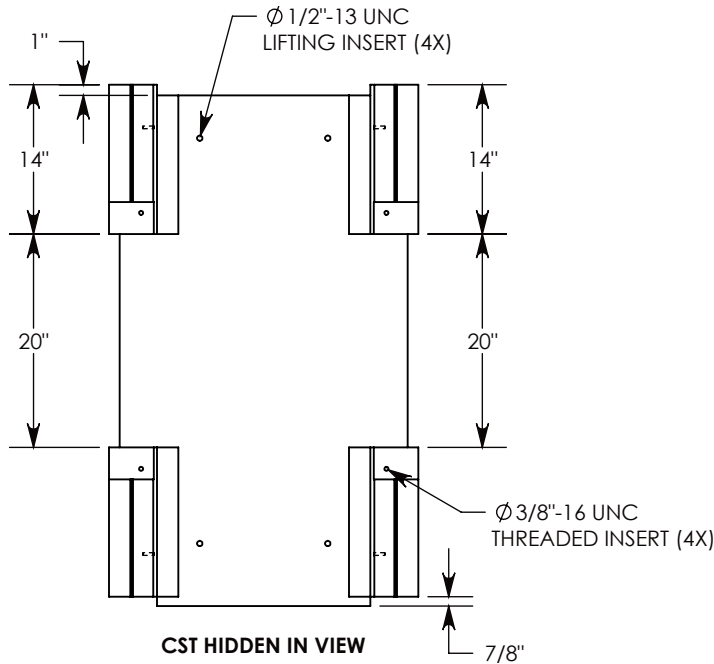


REV. A - RAL - 1/10/2018 - UPDATED THE COVER SUPPORT RAIL
 REV. B - SIC - 7/25/2019 - UPDATED VIEWS AND DIMENSIONS; ADDED 1/4" CABLE CLIP INSERTS



AASHTO H-20 RATED - 32,000 LB. SINGLE AXLE LOAD

DRAWN BY: ROSS LAGER	
DATE: 7/25/2019	REVISION LEVEL: B
WEIGHT: 839 LBS.	MATERIAL: NOTED


CONCAST
 1010 NORTH STAR DRIVE
 P.O. BOX 69
 ZUMBROTA, MN 55992-0069

DESCRIPTION: HEAVY TRAFFIC UNIVERSAL CHANNEL		
DIMENSIONS ARE IN INCHES TOLERANCES: FRACTIONAL: $\pm 1/8$ " ANGULAR: $\pm 2^\circ$	CONTACT INFORMATION: EMAIL: INFO@CONCASTINC.COM PHONE: (507) 732-4095 FAX: (507) 732-4094	SHEET 1 OF 1
PART NUMBER: HTFU2016 (20X20)		