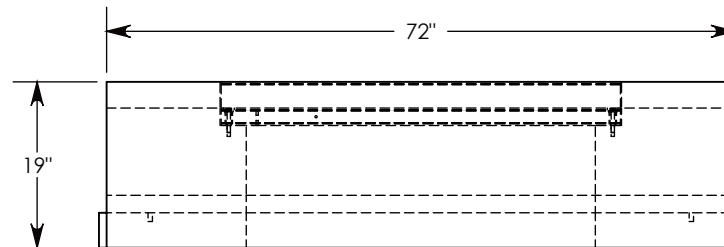
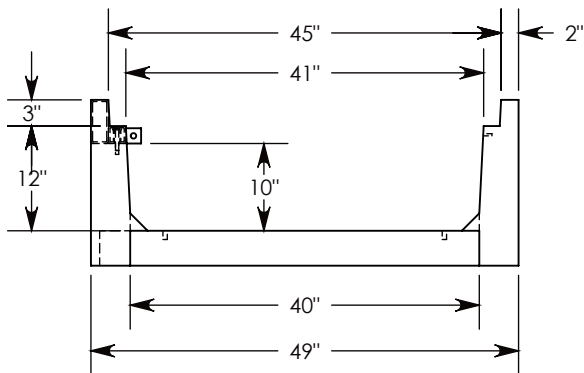
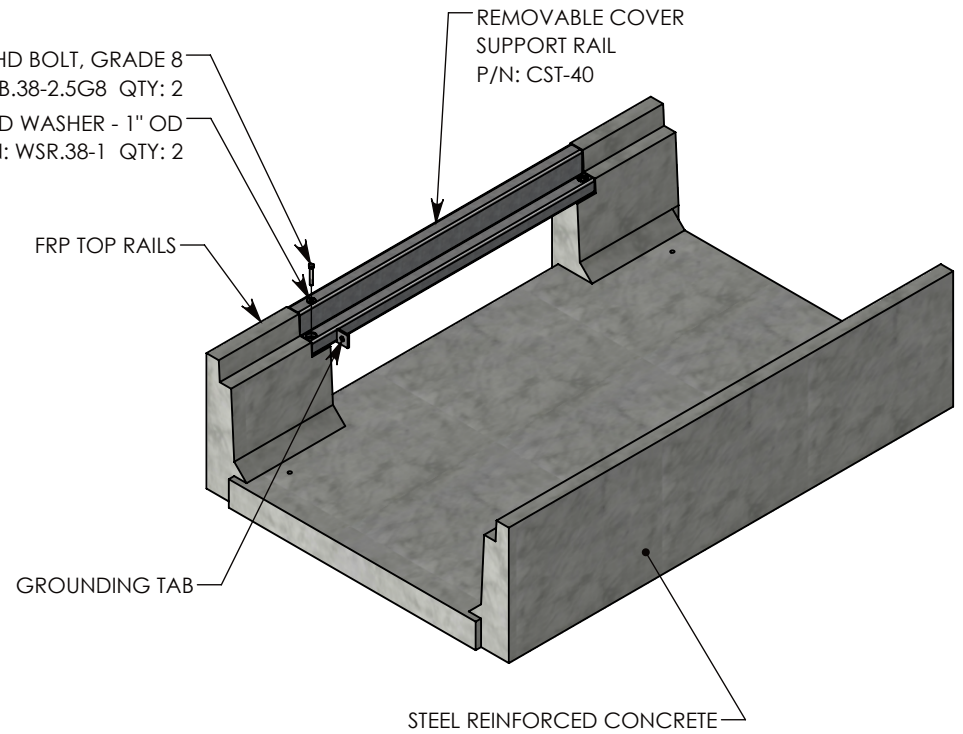


3/8-16 UNC X 2.50" LG HEX HD BOLT, GRADE 8
 P/N: HHB.38-2.5G8 QTY: 2
 3/8" STD WASHER - 1" OD
 P/N: WSR.38-1 QTY: 2



AASHTO H-20 RATED – 32,000 LB. SINGLE AXLE LOAD

DRAWN BY: ROSS LAGER

DATE: 6/1/2018

REVISION LEVEL: 0

WEIGHT:

1691 LBS.

MATERIAL:

NOTED


CONCAST
 1010 NORTH STAR DRIVE
 P.O. BOX 69
 ZUMBROTA, MN 55992-0069

DESCRIPTION:

HEAVY TRAFFIC UNIVERSAL CHANNEL

DIMENSIONS ARE IN INCHES

TOLERANCES:
 FRACTIONAL: $\pm 1/8''$
 ANGULAR: $\pm 2^\circ$

CONTACT INFORMATION:
 EMAIL: INFO@CONCASTINC.COM
 PHONE: (507) 732-4095
 FAX: (507) 732-4094

SHEET 1 OF 1

PART NUMBER:

HTFU4012 (0X40)