

3/8-16 UNC X 2.50" LG HEX HD BOLT, GRADE 8  
P/N: HHB.38-2.5G8 QTY: 4

3/8" STD WASHER - 1" OD  
P/N: WSR.38-1 QTY: 4

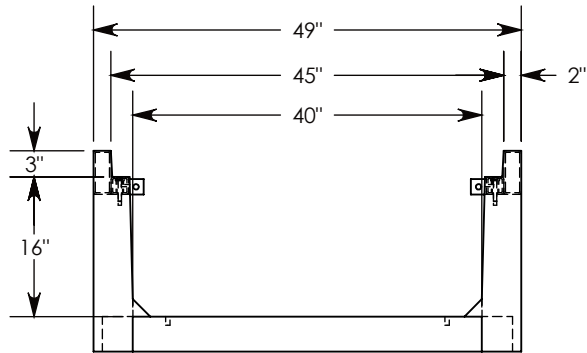
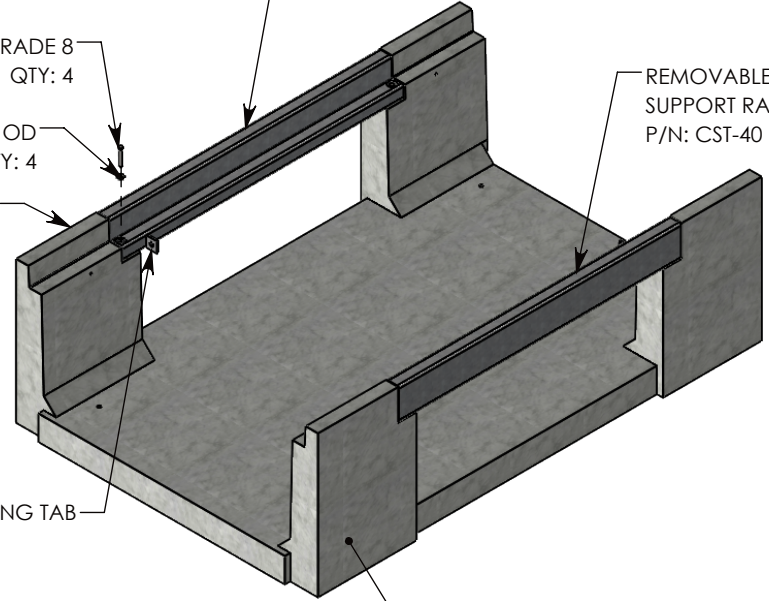
FRP TOP RAILS

GROUNDING TAB

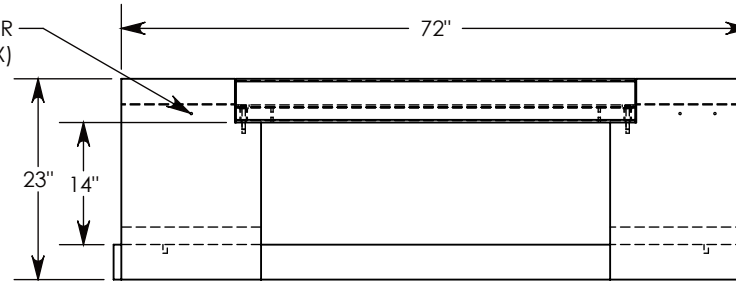
REMOVABLE COVER  
SUPPORT RAIL  
P/N: CST-40

REMOVABLE COVER  
SUPPORT RAIL  
P/N: CST-40

STEEL REINFORCED CONCRETE



$\varnothing 1/4"$  INSERT FOR  
CABLE CLIPS (4X)



AASHTO H-20 RATED - 32,000 LB. SINGLE AXLE LOAD

**DRAWN BY: ROSS LAGER**

**DATE: 7/25/2019**

**REVISION LEVEL: A**

**WEIGHT:**

**1618 LBS.**

**MATERIAL:**

**NOTED**

**CONCAST**  
1010 NORTH STAR DRIVE  
P.O. BOX 69  
ZUMBROTA, MN 55992-0069

**DESCRIPTION:**

**HEAVY TRAFFIC UNIVERSAL CHANNEL**

DIMENSIONS ARE IN INCHES

TOLERANCES:  
FRACTIONAL:  $\pm 1/8"$   
ANGULAR:  $\pm 2^\circ$

CONTACT INFORMATION:  
EMAIL: INFO@CONCASTINC.COM  
PHONE: (507) 732-4095  
FAX: (507) 732-4094

SHEET 1 OF 1

**PART NUMBER:**

**HTFU4016 (40X40)**