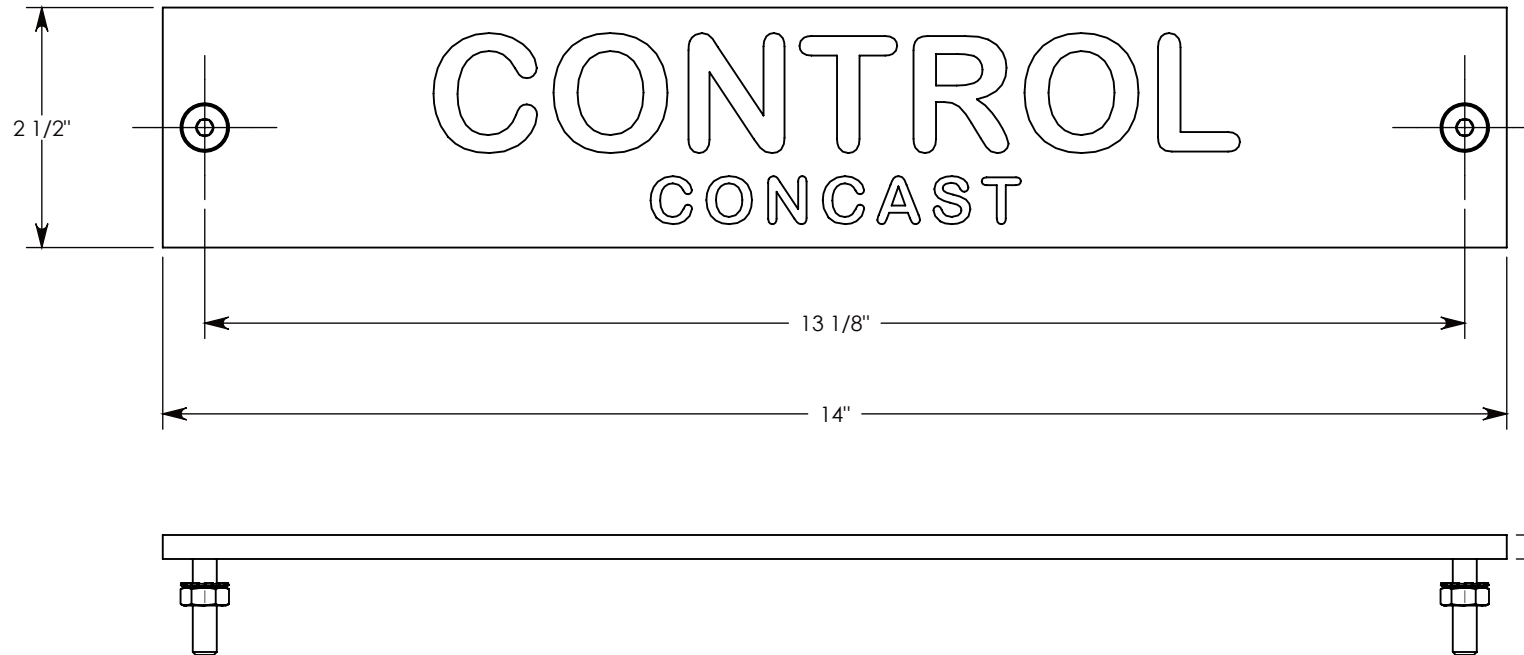
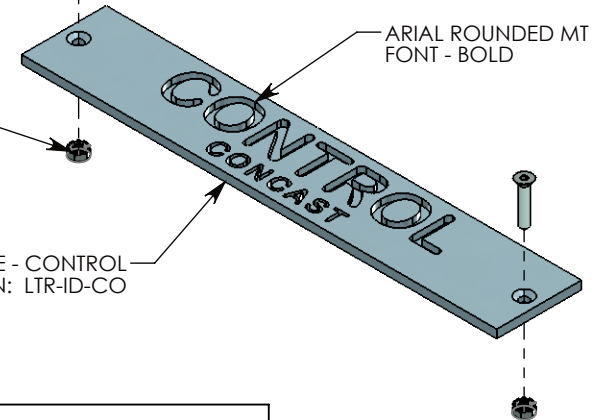


1/4-20 UNC X 1" LG ALLEN FLATHEAD BOLT  
P/N: FH.25- 1 (2X)

1/4-20 UNC LOCK NUT  
P/N: LK-NUT-.25 (2X)

ALUMINUM I.D. PLATE - CONTROL  
P/N: LTR-ID-CO

ARIAL ROUNDED MT  
FONT - BOLD



DRAWN BY: **JESSE GUTTING**

CREATED DATE: **2/21/2013** REVISION LEVEL: **0**

SAVED DATE: **12/2/2021** SAVED BY: **jgutting**

WEIGHT: **0.8 LBS.** MATERIAL: **NOTED**

 **CONCAST**  
1010 NORTH STAR DRIVE  
P.O. BOX 69  
ZUMBROTA, MN 55992-0069

DESCRIPTION:

**ALUM LETTER ID PLATE "CONTROL"**

DIMENSIONS ARE IN INCHES  
TOLERANCES:  
FRACTIONAL:  $\pm 1/8"$   
ANGULAR:  $\pm 2^\circ$

CONTACT INFORMATION:  
EMAIL: [INFO@CONCASTINC.COM](mailto:INFO@CONCASTINC.COM)  
PHONE: (507) 732-4095  
FAX: (507) 732-4094

SHEET 1 OF 1

PART NUMBER:

**LTR-ID-CO**