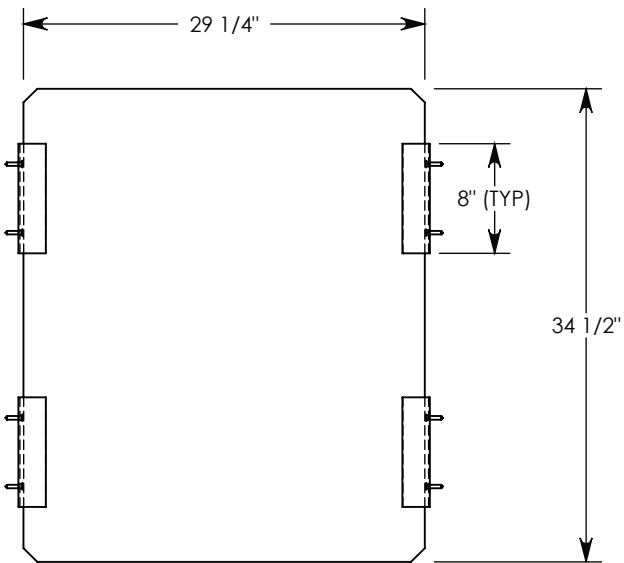
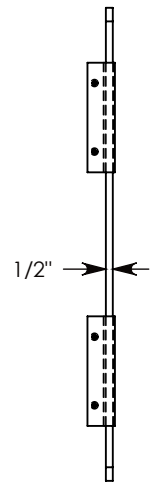
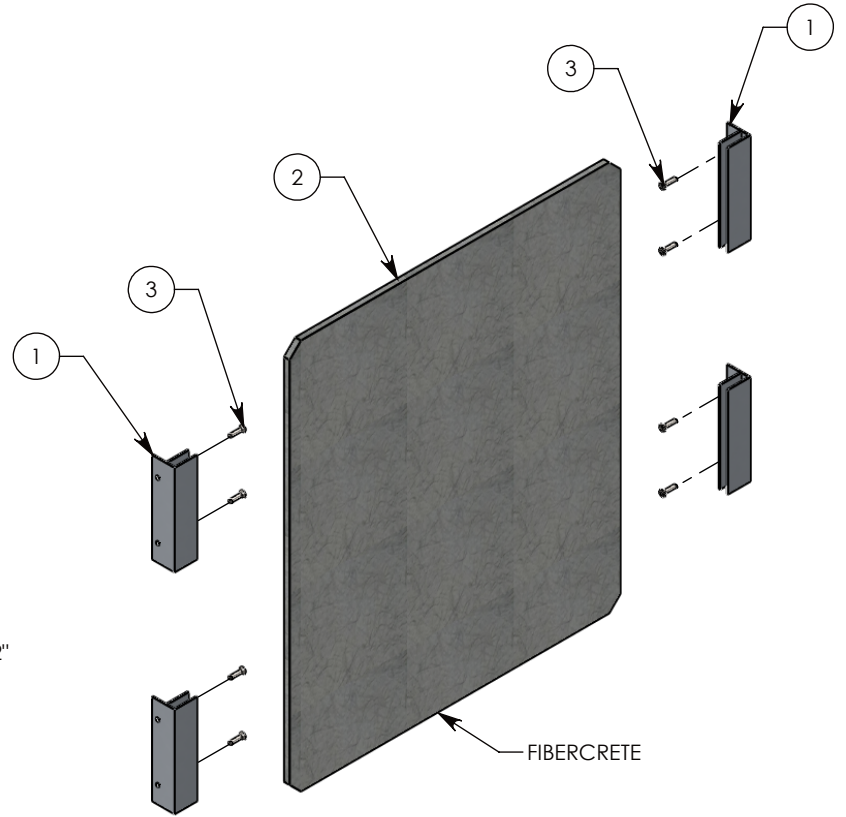


CONCAST PULL BOX
PURCHASED SEPARATELY



ITEM NO.	PART NUMBER	DESCRIPTION	QTY.
1	DIV-BKT	1/2" ALUMINUM SLEEVE	4
2	PB-38-42-DIV	PULL BOX DIVIDER BOARD	1
3	TAPCONS	TAPCON SCREW 1/4" X 1" LG	8



NOTE 1: TO BE FIELD INSTALLED.
NOTE 2: DESIGNED TO CREATE SEPARATION IN A 38" WIDE BY 42" TALL CONCAST PULL BOX.

DRAWN BY: ROBIN FLINT	
DATE: 9/9/2013	REVISION LEVEL: 0
WEIGHT: 39 LBS.	MATERIAL: NOTED



1010 NORTH STAR DRIVE
P.O. BOX 69
ZUMBROTA, MN 55992-0069

DESCRIPTION: PULL BOX DIVIDER	
DIMENSIONS ARE IN INCHES TOLERANCES: FRACTIONAL: ± 1/8" ANGULAR: ± 2°	CONTACT INFORMATION: EMAIL: INFO@CONCASTINC.COM PHONE: (507) 732-4095 FAX: (507) 732-4094
PART NUMBER: PB-38-42-DIV	