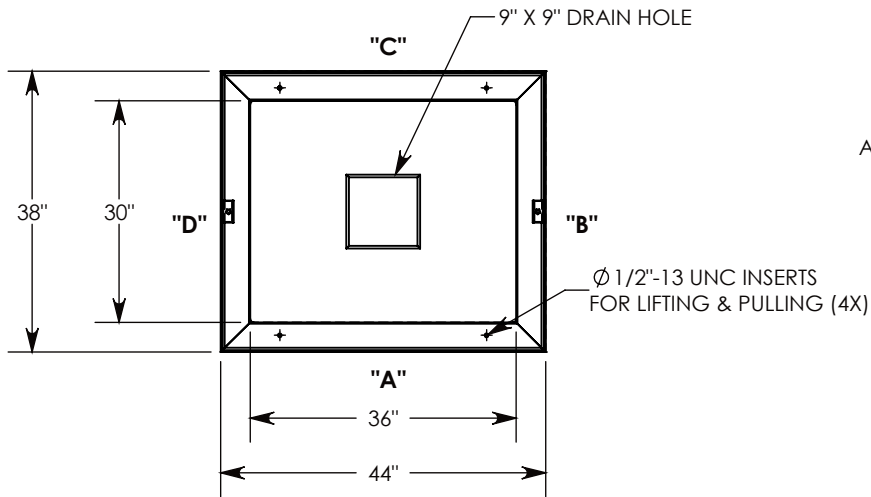


MARK UP DRAWING BELOW WITH LOCATION AND SIZE OF ANY HOLES, KNOCKOUTS, INSERTS, UNISTRUT, OR ACCESSORIES REQUIRED.

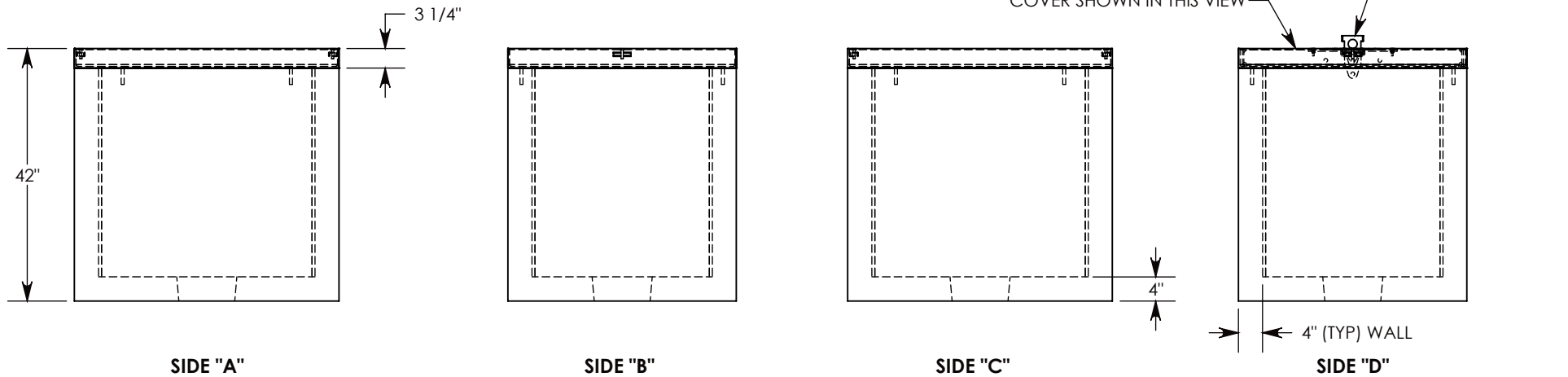
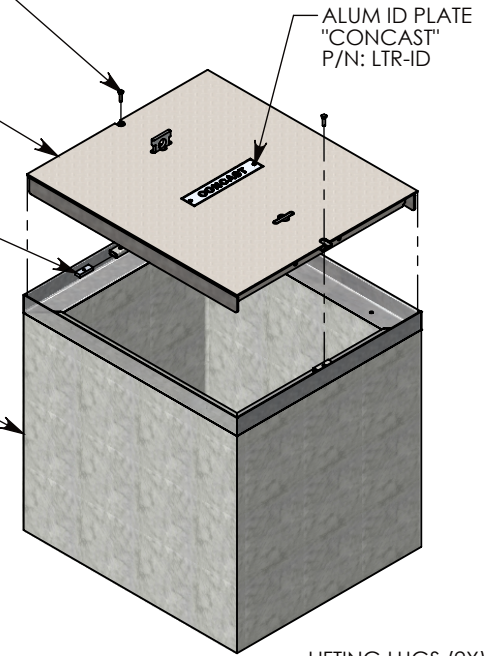


3/8-16 UNC X 1.5" LG PENTA HD BOLT  
PTA.38-1.5 (2X) SEE NOTE 2

38-44-RSGBD H-20 HEAVY  
TRAFFIC RATED GALVANIZED  
STEEL BOLT-DOWN COVER  
~215 LBS.

AL. FLOATING NUT; 2-3/4" X 1 X .5" THICK  
FLT-NUT-3 (2X)

STEEL REINFORCED  
CONCRETE PULL BOX  
& CAST-IN STEEL BD FRAME  
P/N: PB-38-44-42-RB



NOTE 1: STANDARD BOX DEPTH OF 42" IS SHOWN. OTHER DEPTHS ARE AVAILABLE UPON REQUEST

NOTE 2: FOR ADDED SECURITY, REPLACE PENTAHEAD BOLTS WITH SURELOCK BOLTS & ORDER UNIT UNDER P/N: PB-38-44-42-RSGBDSL

H-20 RATED - 32,000 LB. PER AXLE LOAD.

DRAWN BY: ROBIN FLINT

DATE: 12/29/2015

REVISION LEVEL: 0

WEIGHT:

2495 LBS.

MATERIAL:

NOTED



DESCRIPTION:

**PULL BOX W/BOLT-DOWN RSG COVER**

DIMENSIONS ARE IN INCHES  
TOLERANCES:  
FRACTIONAL: ± 1/8"  
ANGULAR: ± 2°

CONTACT INFORMATION:  
EMAIL: INFO@CONCASTINC.COM  
PHONE: (507) 732-4095  
FAX: (507) 732-4094

SHEET 1 OF 1

PART NUMBER:

**PB-38-44-42-RSGBD**