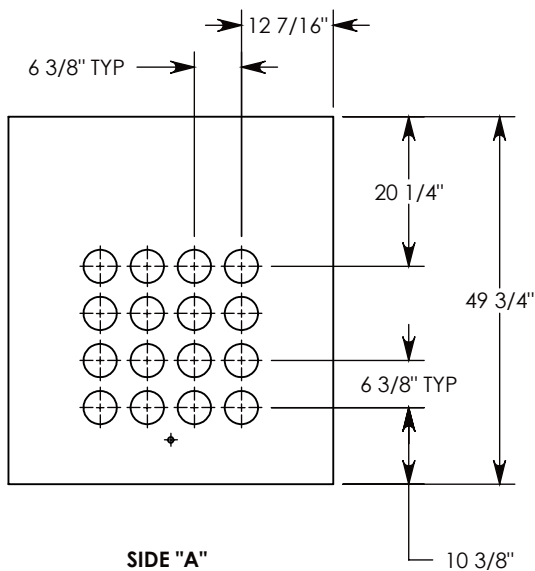
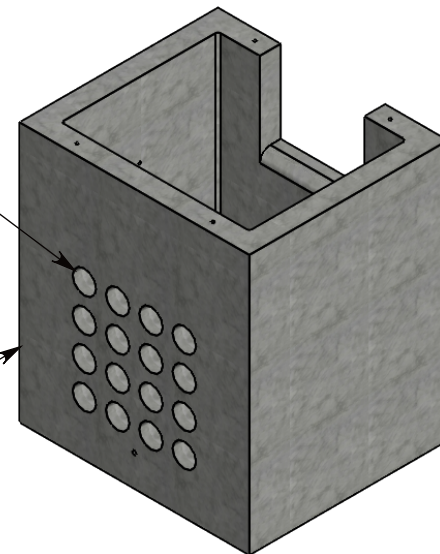


CON-DUCT TERMINATORS FOR UP TO 4" DIA PVC CONDUIT ARE CAST INTO BOX SIDE (16X 2 SIDES)(1X SIDE C)

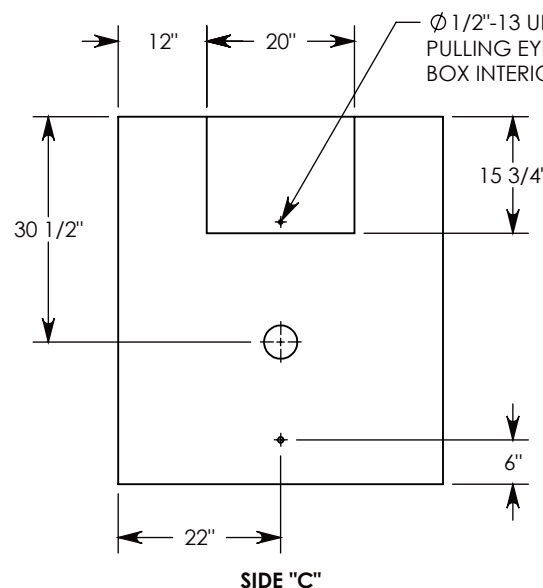
CONCRETE PULL BOX
~2480 LBS
P/N: PB-38-44-50-S85



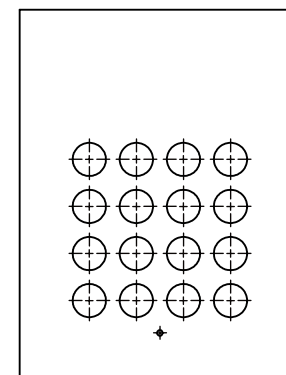
SIDE "A"



SIDE "B"



SIDE "C"



SIDE "D"

DRAWN BY: MALACHI MLINAR

CREATED DATE: 12/8/2021 **REVISION LEVEL:** 0

SAVED DATE: 12/8/2021 **SAVED BY:** mmlinar

WEIGHT: 2480 LBS. **MATERIAL:** CONCRETE



DESCRIPTION:
CONCRETE PULL BOX

DIMENSIONS ARE IN INCHES
TOLERANCES:
FRACTIONAL: ± 1/8"
ANGULAR: ± 2°

CONTACT INFORMATION:
EMAIL: INFO@CONCASTINC.COM
PHONE: (507) 732-4095
FAX: (507) 732-4094

SHEET 1 OF 1

PART NUMBER:
PB-38-44-50-S85