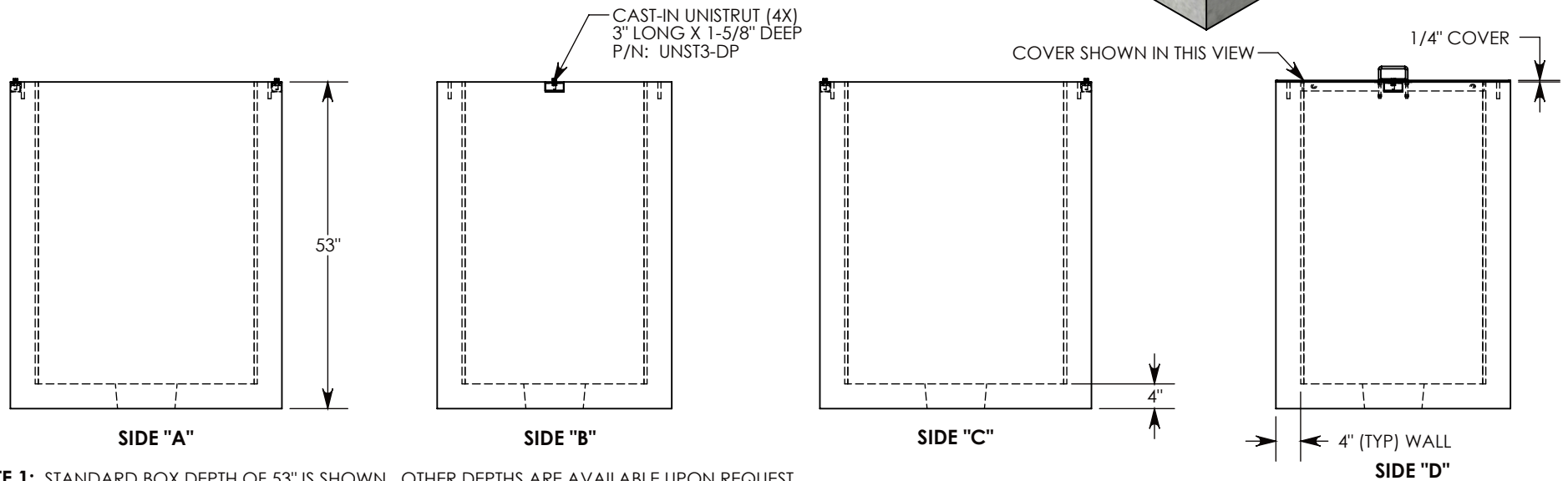
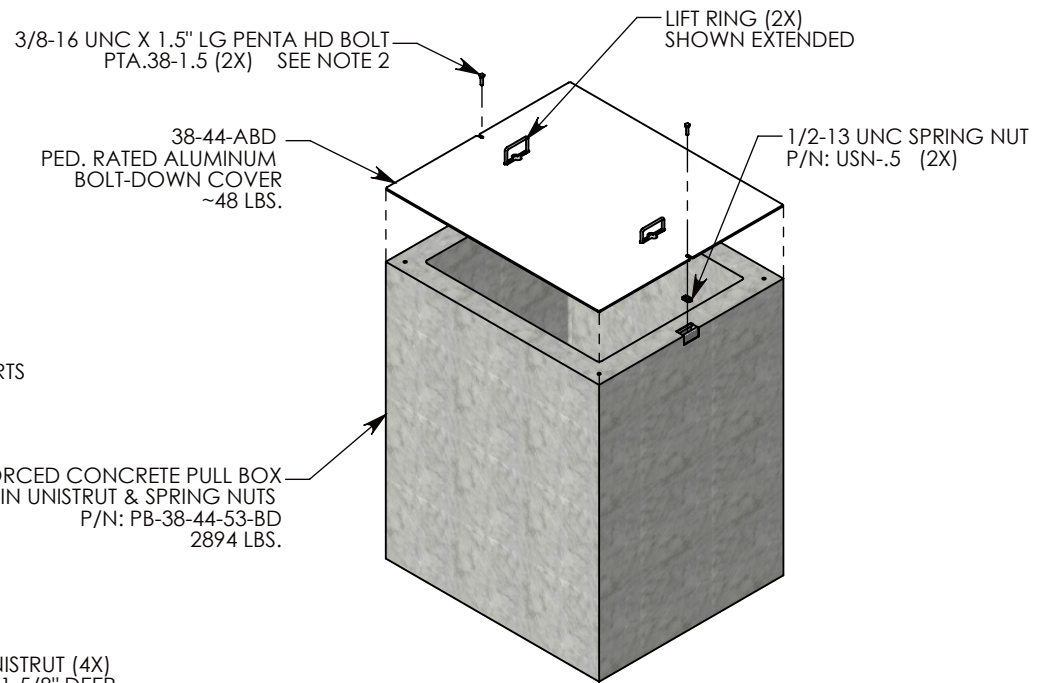
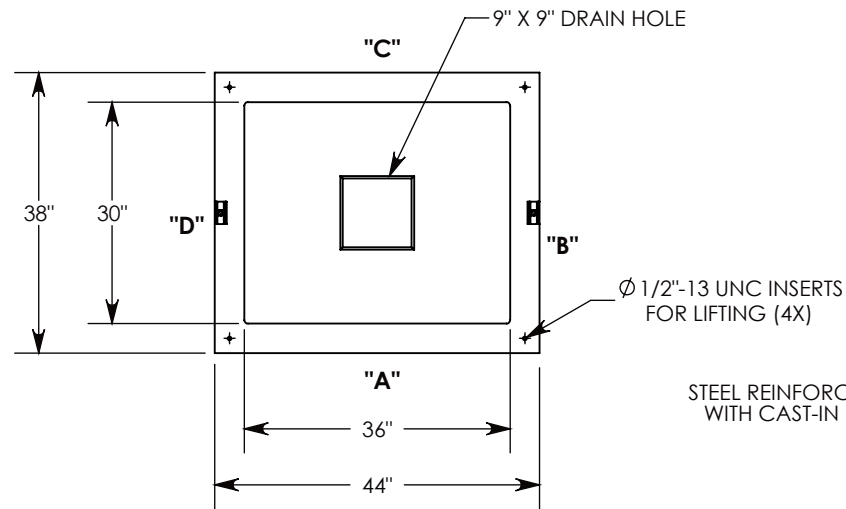


MARK UP DRAWING BELOW WITH LOCATION AND SIZE OF ANY HOLES, KNOCKOUTS, INSERTS, UNISTRUT, OR ACCESSORIES REQUIRED.



NOTE 1: STANDARD BOX DEPTH OF 53" IS SHOWN. OTHER DEPTHS ARE AVAILABLE UPON REQUEST

NOTE 2: FOR ADDED SECURITY, REPLACE PENTAHEAD BOLTS WITH SURELOCK BOLTS & ORDER UNIT UNDER P/N: PB-38-44-53-ABDSL

PEDESTRIAN RATED - 200 LB. PER SQ. FOOT

DRAWN BY: ROBIN FLINT

DATE: 12/29/2015

REVISION LEVEL: 0

WEIGHT:

2941 LBS.

MATERIAL:

NOTED



DESCRIPTION:

PULL BOX W/BOLT-DOWN AL. COVER

DIMENSIONS ARE IN INCHES
TOLERANCES:
FRACTIONAL: ± 1/8"
ANGULAR: ± 2°

CONTACT INFORMATION:
EMAIL: INFO@CONCASTINC.COM
PHONE: (507) 732-4095
FAX: (507) 732-4094

SHEET 1 OF 1

PART NUMBER:

PB-38-44-53-ABD