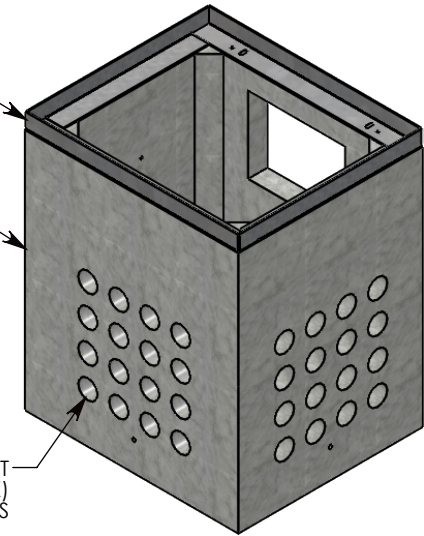


BOLT DOWN GALV. STEEL FRAME  
~75 LBS  
P/N: 38-44-FRM

CONCRETE PULL BOX  
~2539 LBS  
P/N: PB-38-44-50-S32

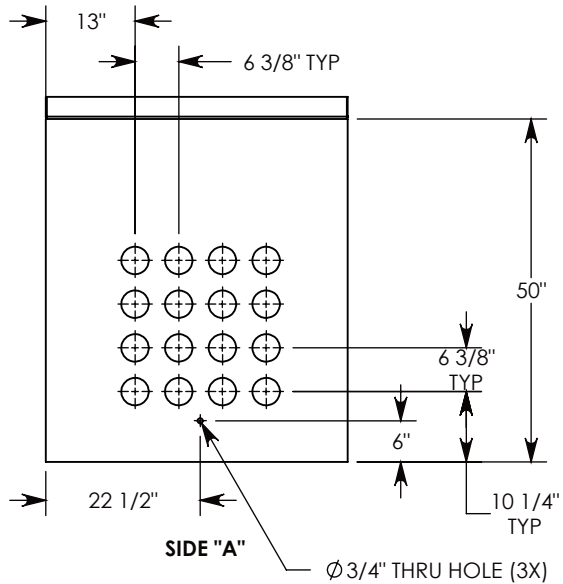


CON-DUCT TERMINATORS ARE CAST INTO BOX SIDE WALLS. 16 PER SIDE (3X) THEY FIT UP TO 4\"/>

Ø 1/2"-13 UNC INSERTS (4X) FOR LIFTING AND PULLING

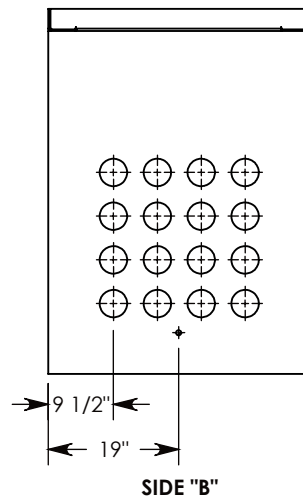
Ø 1/2"-16 UNC INSERTS (4X) FOR LIFTING AND BOLT DOWN

Ø 1/2"-13 UNC INSERT (4X) FOR PULLING EYES. LOCATED ON BOX INTERIOR (1X PER SIDE)

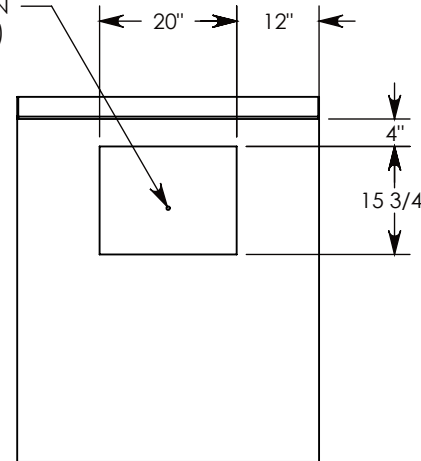


SIDE "A"

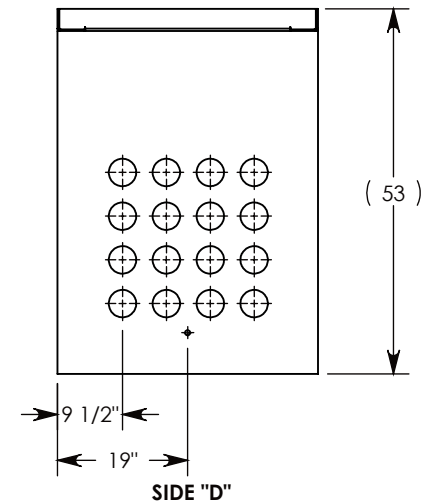
Ø 3/4" THRU HOLE (3X)



SIDE "B"



SIDE "C"



SIDE "D"

DRAWN BY: MALACHI MLINAR

DATE: 7/3/2019

REVISION LEVEL: 0

WEIGHT:

2614 LBS.

MATERIAL:

NOTED



1010 NORTH STAR DRIVE  
P.O. BOX 69  
ZUMBROTA, MN 55992-0069

DESCRIPTION:

CONCRETE PULL BOX

DIMENSIONS ARE IN INCHES  
TOLERANCES:  
FRACTIONAL: ± 1/8"  
ANGULAR: ± 2°

CONTACT INFORMATION:  
EMAIL: INFO@CONCASTINC.COM  
PHONE: (507) 732-4095  
FAX: (507) 732-4094

SHEET 1 OF 1

PART NUMBER:

PB-38-44-53-S32