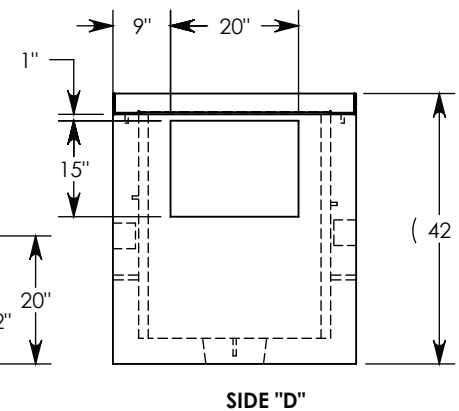
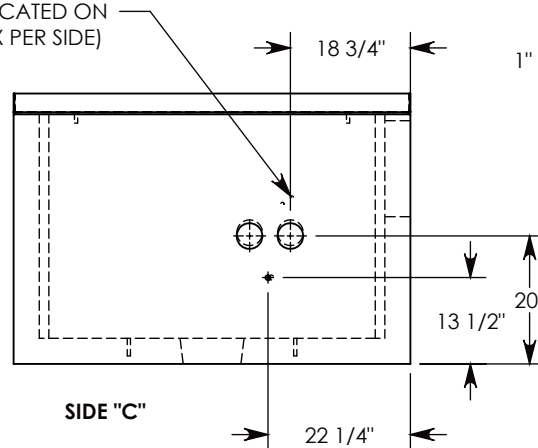
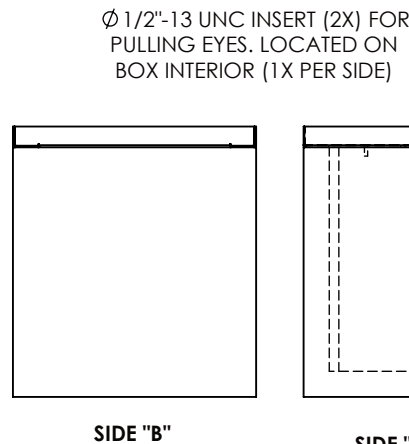
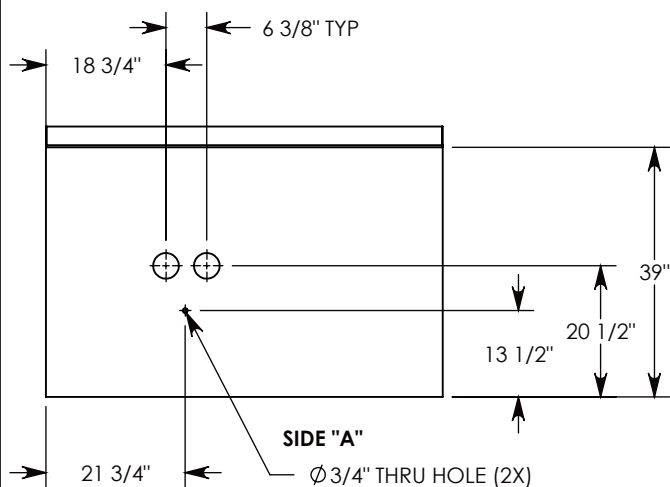
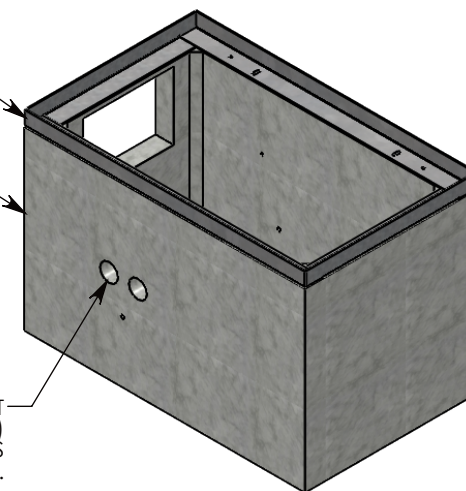


BOLT DOWN GALV. STEEL FRAME
 ~93 LBS
 P/N: 38-62-FRM

CONCRETE PULL BOX
 ~2752 LBS
 P/N: PB-38-62-39-S22

CON-DUCT TERMINATORS ARE CAST INTO BOX SIDEWALLS. 2 PER SIDE (2X) THEY FIT UP TO 4" PVC PIPE. TO ACCESS THE HOLES, BREAK THE PLASTIC SEAL.



DRAWN BY: MALACHI MLINAR

DATE: 7/3/2019

REVISION LEVEL: 0

WEIGHT:

2845 LBS.

MATERIAL:

NOTED



DESCRIPTION:

CONCRETE PULL BOX

DIMENSIONS ARE IN INCHES
 TOLERANCES:
 FRACTIONAL: $\pm 1/8$ "
 ANGULAR: $\pm 2^\circ$

CONTACT INFORMATION:
 EMAIL: INFO@CONCASTINC.COM
 PHONE: (507) 732-4095
 FAX: (507) 732-4094

SHEET 1 OF 1

PART NUMBER:

PB-38-62-42-S22