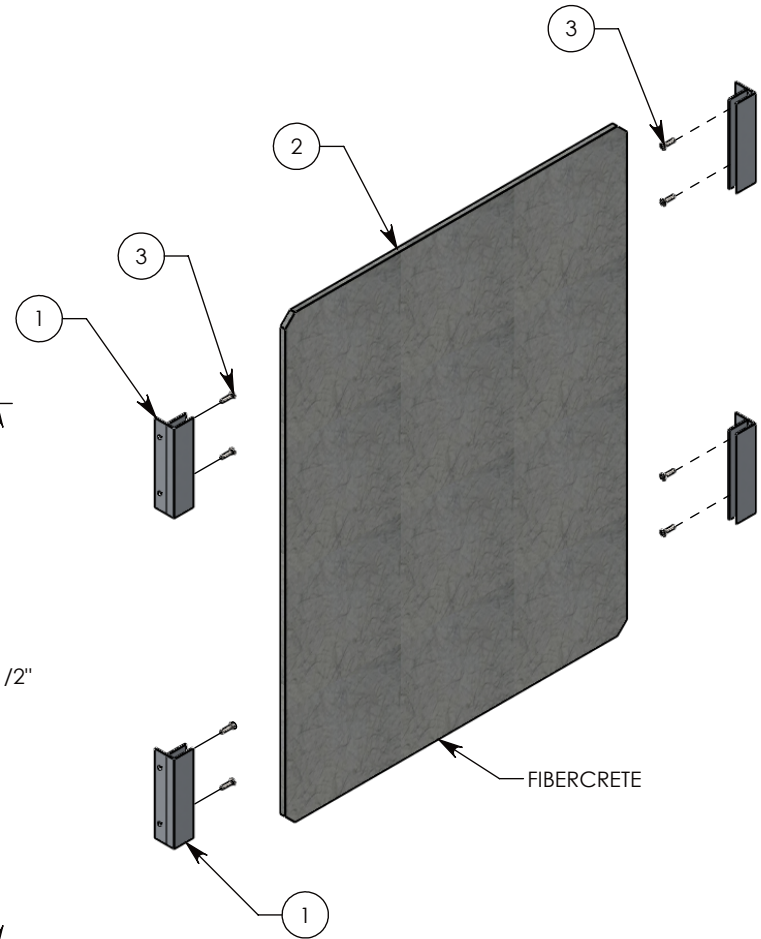


ITEM NO.	PART NUMBER	DESCRIPTION	QTY.
1	DIV-BKT	1/2" ALUMINUM SLEEVE	4
2	PB-44-53-DIV	PULL BOX DIVIDER BOARD	1
3	TAPCONS	TAPCON SCREW 1/4" X 1" LG	8



**NOTE 1:** TO BE FIELD INSTALLED.

**NOTE 2:** DESIGNED TO CREATE SEPARATION IN A 44" WIDE BY 53" TALL CONCAST PULL BOX.

<b>DRAWN BY: ROBIN FLINT</b>	
<b>DATE: 9/9/2013</b>	<b>REVISION LEVEL: 0</b>
<b>WEIGHT: 61 LBS.</b>	<b>MATERIAL: NOTED</b>



**CONCAST**  
 1010 NORTH STAR DRIVE  
 P.O. BOX 69  
 ZUMBROTA, MN 55992-0069

<b>DESCRIPTION: PULL BOX DIVIDER</b>		SHEET 1 OF 1
DIMENSIONS ARE IN INCHES TOLERANCES: FRACTIONAL: ± 1/8" ANGULAR: ± 2°	CONTACT INFORMATION: EMAIL: INFO@CONCASTINC.COM PHONE: (507) 732-4095 FAX: (507) 732-4094	
<b>PART NUMBER: PB-44-53-DIV</b>		