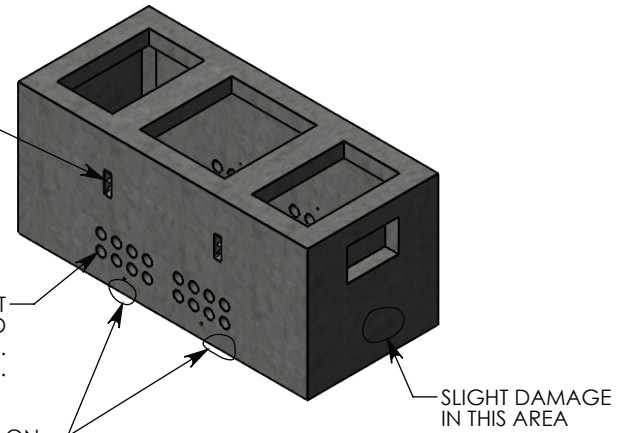


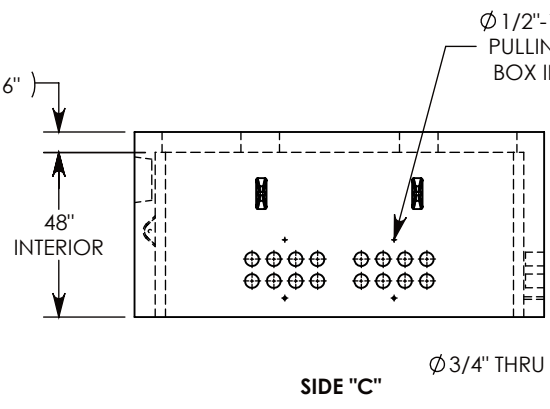
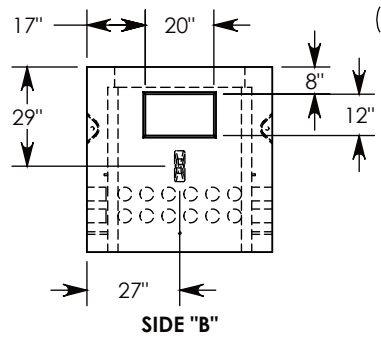
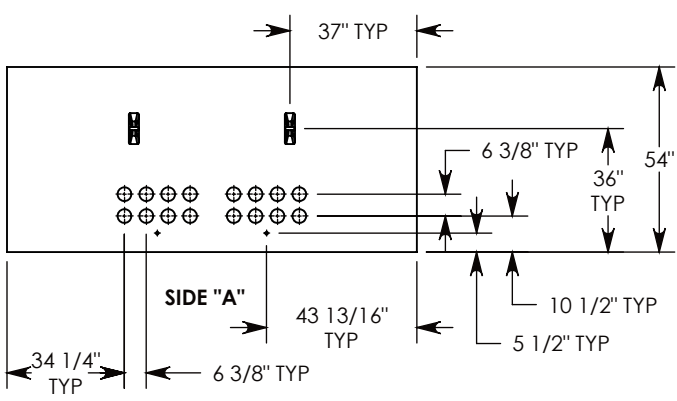
A-ANCHORS FOR LIFTING (5X)

CON-DUCT TERMINATORS ARE CAST INTO BOX SIDE WALLS. 16 PER SIDE (2X) AND 12 PER SIDE (1X) THEY FIT UP TO 4" PVC PIPE. TO ACCESS THE HOLES, BREAK THE PLASTIC SEAL.

SLIGHT DAMAGE IN THIS AREA ON INTERIOR SIDE OF BOX (BOTH SIDES)

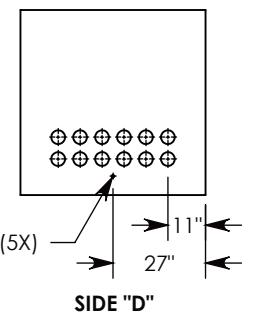


SLIGHT DAMAGE IN THIS AREA



Ø 1/2"-13 UNC INSERT (4X) FOR PULLING EYES. LOCATED ON BOX INTERIOR (1X PER SIDE)

Ø 3/4" THRU HOLE (5X)



DRAWN BY: MALACHI MLINAR	
DATE: 7/3/2019	REVISION LEVEL: 0
WEIGHT: 8964 LBS.	MATERIAL: CONCRETE



CONCAST
 1010 NORTH STAR DRIVE
 P.O. BOX 69
 ZUMBROTA, MN 55992-0069

DESCRIPTION: CONCRETE PULL BOX		
DIMENSIONS ARE IN INCHES TOLERANCES: FRACTIONAL: ± 1/8" ANGULAR: ± 2°	CONTACT INFORMATION: EMAIL: INFO@CONCASTINC.COM PHONE: (507) 732-4095 FAX: (507) 732-4094	SHEET 1 OF 1
PART NUMBER: PB-54-120-54-S43		