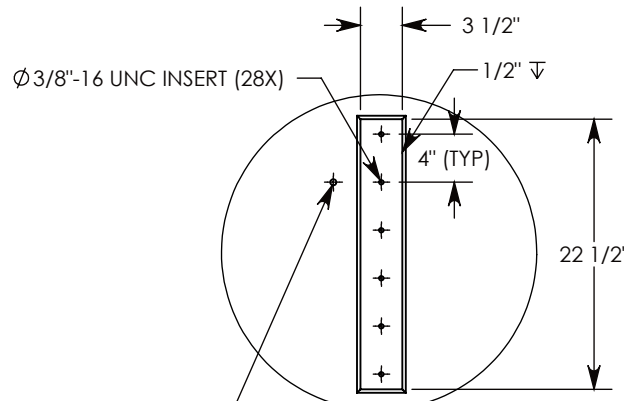
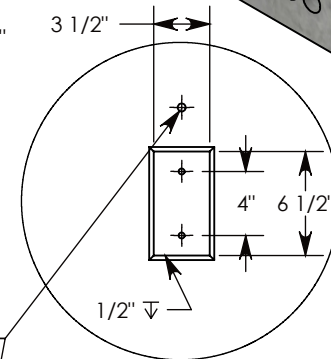


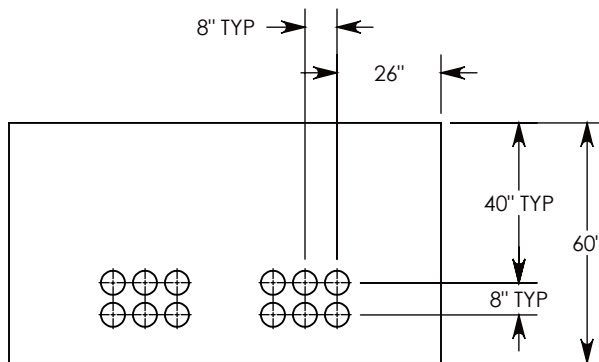
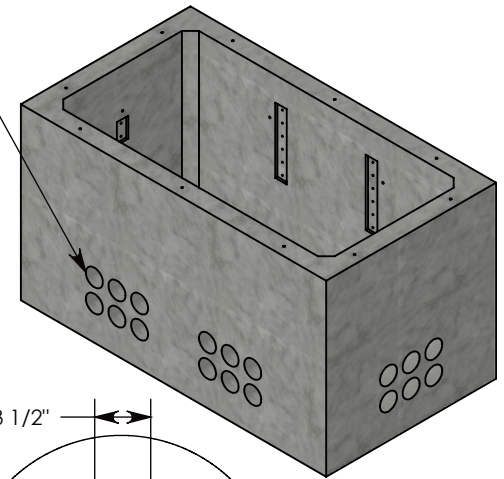
CON-DUCT TERMINATIONS ARE CAST INTO BOX SIDEWALLS. (2) SETS OF 6 ON SIDES A & C, (1) SET OF 6 ON SIDES B & D. THEY FIT UP TO 6" PVC PIPE. TO ACCESS THE HOLES, BREAK THE PLASTIC SEAL



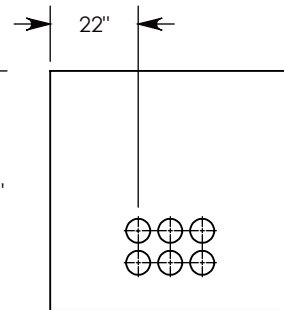
DETAIL A
SCALE 1 : 16



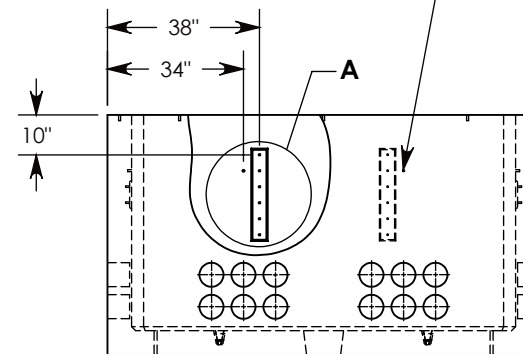
DETAIL B
SCALE 1 : 12



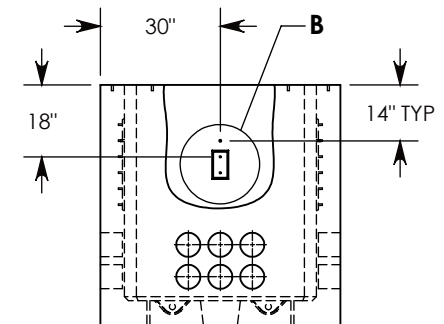
SIDE "A"



SIDE "B"



SIDE "C"



SIDE "D"

DRAWN BY: MALACHI MLINAR

CREATED DATE: 10/10/2022 **REVISION LEVEL: 0**

SAVED DATE: 10/10/2022 **SAVED BY: mmlinar**

WEIGHT: 11022 LBS. **MATERIAL: NOTED**


 1010 NORTH STAR DRIVE
 P.O. BOX 69
 ZUMBROTA, MN 55992-0069

DESCRIPTION:
CONCRETE PULL BOX

DIMENSIONS ARE IN INCHES
 TOLERANCES:
 FRACTIONAL: $\pm 1/8$ "
 ANGULAR: $\pm 2^\circ$

CONTACT INFORMATION:
 EMAIL: INFO@CONCASTINC.COM
 PHONE: (507) 732-4095
 FAX: (507) 732-4094

SHEET 1 OF 2

PART NUMBER:
PB-60-108-60-S89