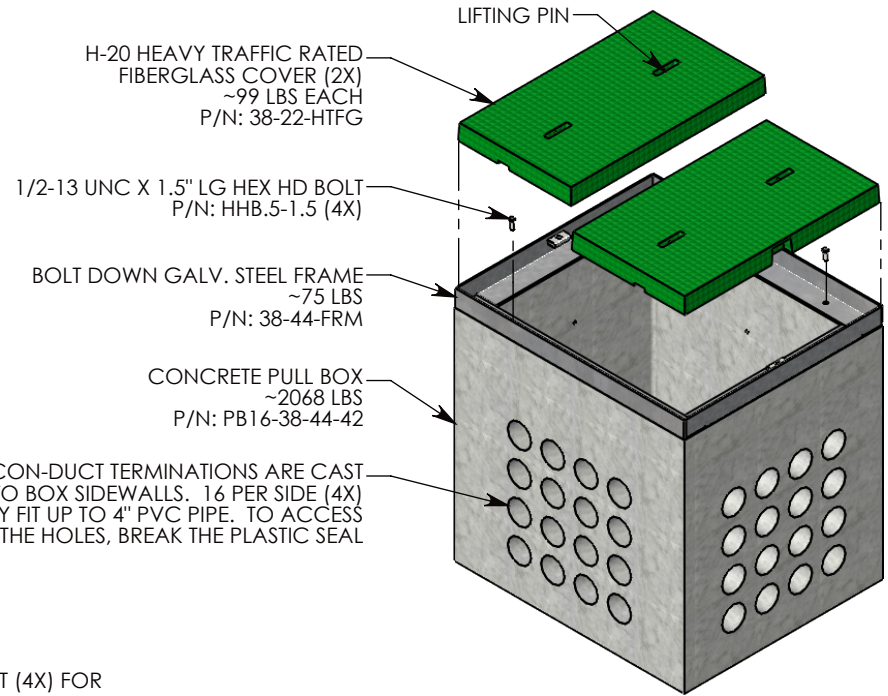
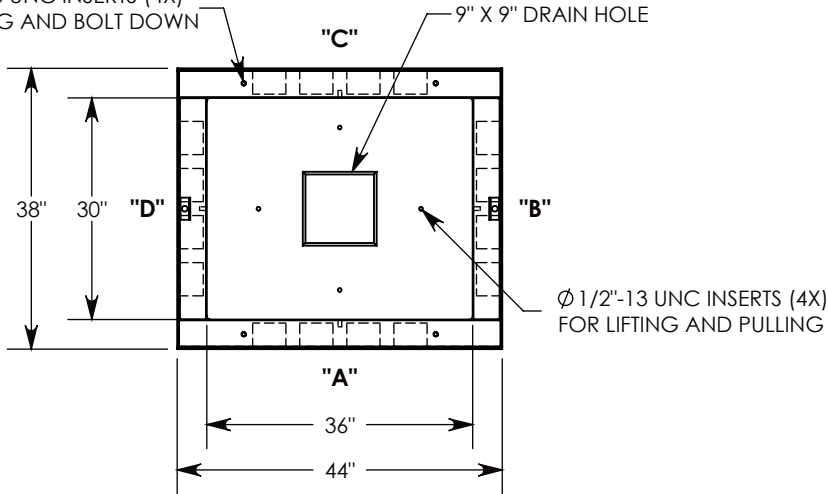
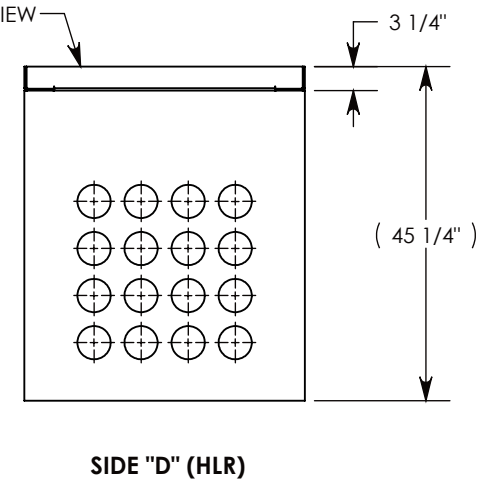
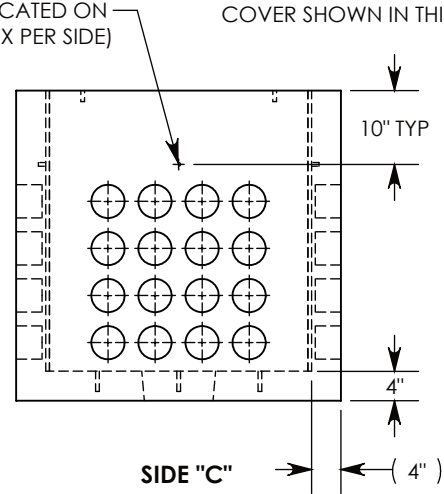
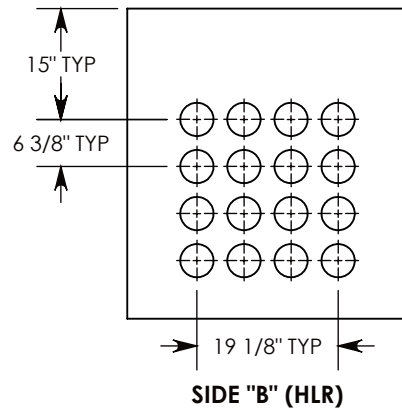
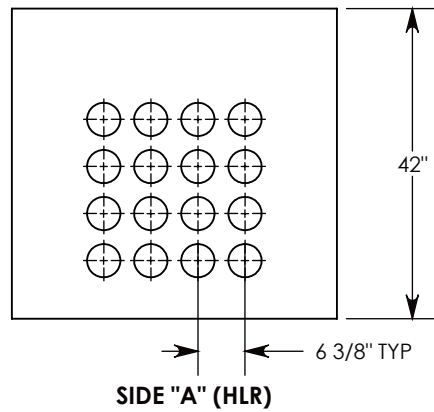


Ø 1/2"-13 UNC INSERTS (4X)  
FOR LIFTING AND BOLT DOWN



Ø 1/2"-13 UNC INSERT (4X) FOR  
PULLING EYES. LOCATED ON  
BOX INTERIOR (1X PER SIDE)



**NOTE 1:** FOR PVC SIZES SMALLER THAN 4", USE CONCAST RC41 (REDUCING COUPLER)

<b>DRAWN BY: ROBIN FLINT</b>	
<b>DATE: 5/16/2018</b>	<b>REVISION LEVEL: B</b>
<b>WEIGHT: 2160 LBS. W/COVER</b>	<b>MATERIAL: NOTED</b>



**CONCAST**  
1010 NORTH STAR DRIVE  
P.O. BOX 69  
ZUMBROTA, MN 55992-0069

<b>DESCRIPTION:</b> <b>CONCRETE PULL BOX W/FIBERGLASS COVER</b>		
DIMENSIONS ARE IN INCHES TOLERANCES: FRACTIONAL: ± 1/8" ANGULAR: ± 2°	CONTACT INFORMATION: EMAIL: INFO@CONCASTINC.COM PHONE: (507) 732-4095 FAX: (507) 732-4094	SHEET 1 OF 1
<b>PART NUMBER:</b> <b>PB16-38-44-42-HTFG</b>		