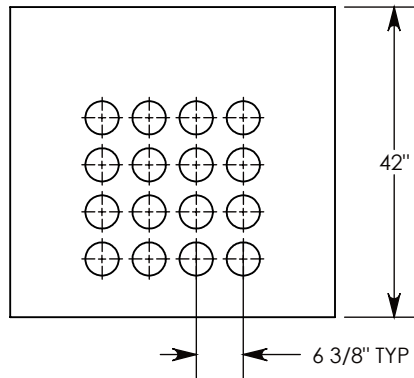
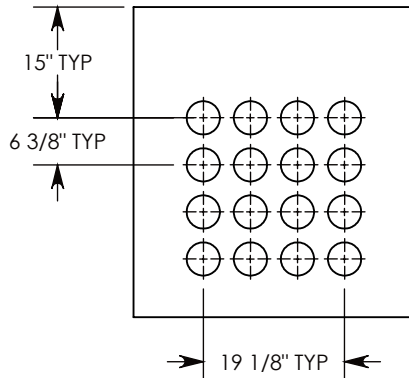


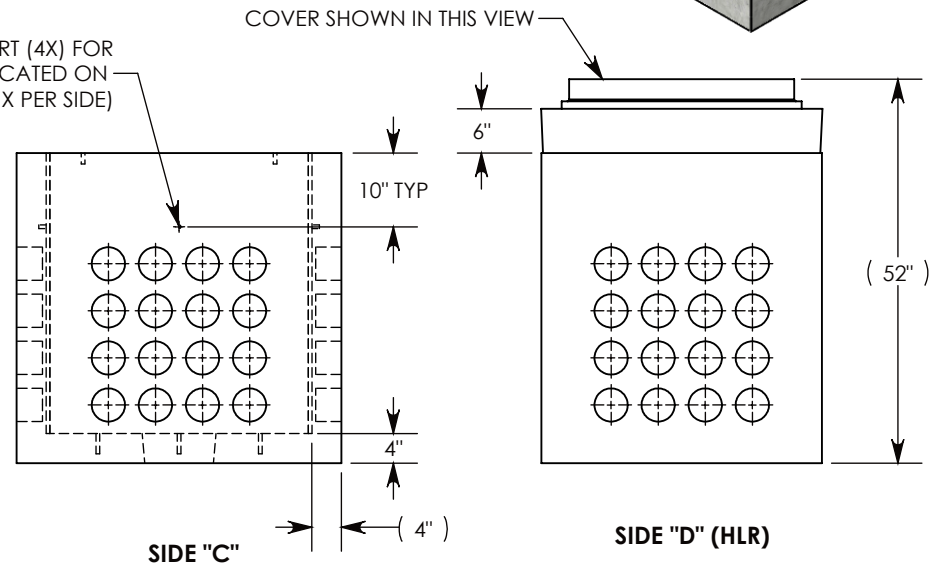
$\phi$  1/2"-13 UNC INSERT (4X) FOR PULLING EYES. LOCATED ON BOX INTERIOR (1X PER SIDE)



SIDE "A" (HLR)



SIDE "B" (HLR)



NOTE 1: FOR PVC SIZES SMALLER THAN 4", USE CONCAST RC41 (REDUCING COUPLER).

DRAWN BY: ROBIN FLINT

DATE: 5/16/2018

REVISION LEVEL: B

WEIGHT:

MATERIAL:

3035 LBS. W/COVER

NOTED



1010 NORTH STAR DRIVE  
 P.O. BOX 69  
 ZUMBROTA, MN 55992-0069

DESCRIPTION:

CONCRETE PULL BOX W/MANHOLE

DIMENSIONS ARE IN INCHES

TOLERANCES:  
 FRACTIONAL:  $\pm$  1/8"  
 ANGULAR:  $\pm$  2°

CONTACT INFORMATION:  
 EMAIL: INFO@CONCASTINC.COM  
 PHONE: (507) 732-4095  
 FAX: (507) 732-4094

SHEET 1 OF 1

PART NUMBER:

PB16-38-44-42-MH