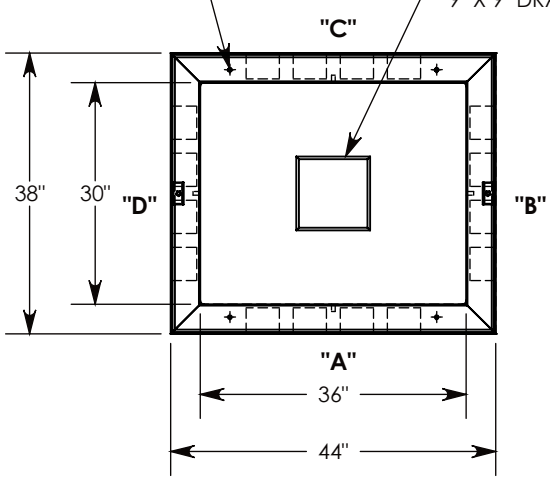


Ø 1/2"-13 UNC INSERTS FOR LIFTING (4X)



3/8-16 UNC X 1.5" LG PENTA HD BOLT  
PTA.38-1.5 (2X) SEE NOTE 2

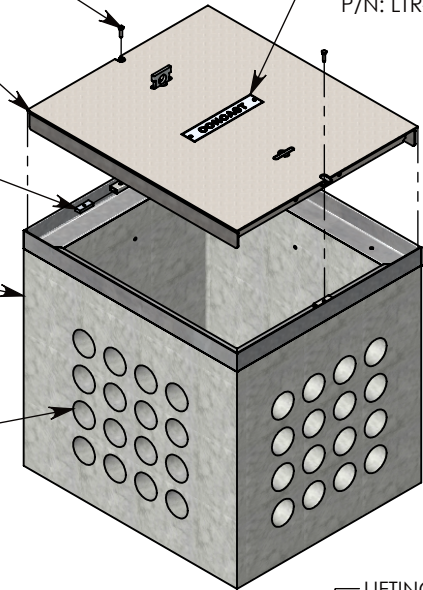
ALUM ID PLATE  
"CONCAST"  
P/N: LTR-ID

38-44-RSGBD H-20 HEAVY  
TRAFFIC RATED GALVANIZED  
STEEL BOLT-DOWN COVER  
~215 LBS.

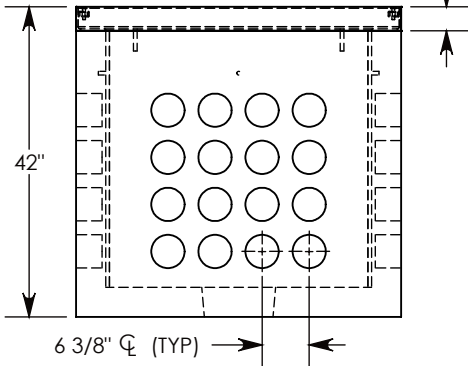
AL. FLOATING NUT; 2-3/4" X 1 X .5" THICK  
FLT-NUT-3 (2X)

STEEL REINFORCED  
CONCRETE PULL BOX  
& CAST-IN STEEL BD FRAME  
P/N: PB16-38-44-42-RB

CON-DUCT TERMINATIONS ARE CAST  
INTO BOX SIDEWALLS. 16 PER SIDE (4X)  
THEY FIT UP TO 4" PVC PIPE. TO ACCESS  
THE HOLES, BREAK THE PLASTIC SEAL



3 1/4"

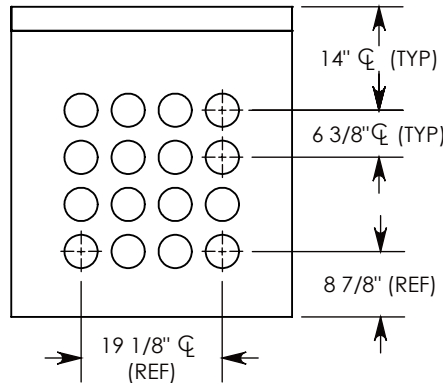


SIDE "A"

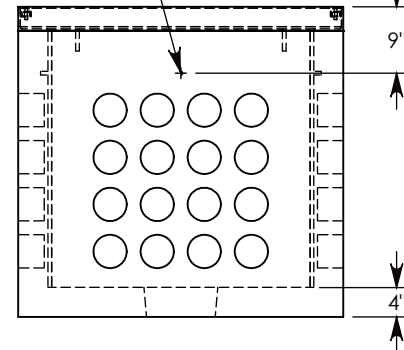
Ø 1/2"-13 UNC INSERT (4X) FOR  
PULLING EYES. LOCATED ON  
BOX INTERIOR (1X PER SIDE)

COVER SHOWN IN THIS VIEW

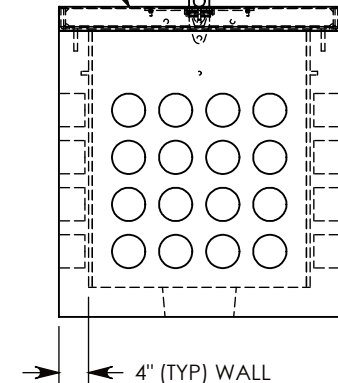
LIFTING LUG  
(SHOWN  
EXTENDED)



SIDE "B" (HLR)



SIDE "C"



SIDE "D"

NOTE 1: FOR PVC SIZES SMALLER THAN 4", USE CONCAST RC41 (REDUCING COUPLER)

NOTE 2: FOR ADDED SECURITY, REPLACE PENTAHEAD BOLTS WITH SURELOCK BOLTS & ORDER UNIT UNDER P/N: PB16-38-44-42-RSGBDSL

H-20 RATED - 32,000 LB. PER AXLE LOAD.

DRAWN BY: ROBIN FLINT

DATE: 12/29/2015

REVISION LEVEL: 0

WEIGHT:

2203 LBS. W/COVER

MATERIAL:

NOTED



1010 NORTH STAR DRIVE  
P.O. BOX 69  
ZUMBROTA, MN 55992-0069

DESCRIPTION:

PULL BOX W/BOLT-DOWN RSG COVER

DIMENSIONS ARE IN INCHES  
TOLERANCES:  
FRACTIONAL: ± 1/8"  
ANGULAR: ± 2°

CONTACT INFORMATION:  
EMAIL: INFO@CONCASTINC.COM  
PHONE: (507) 732-4095  
FAX: (507) 732-4094

SHEET 1 OF 1

PART NUMBER:

PB16-38-44-42-RSGBD