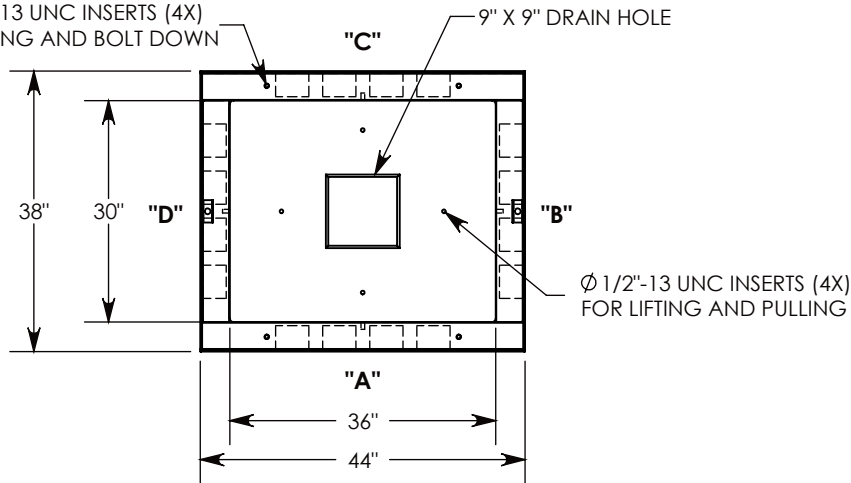


Ø 1/2"-13 UNC INSERTS (4X)
 FOR LIFTING AND BOLT DOWN



3/8-16 UNC X 1.5" LG HEX HED BOLT
 P/N: HHB.38-1.5 (2X)

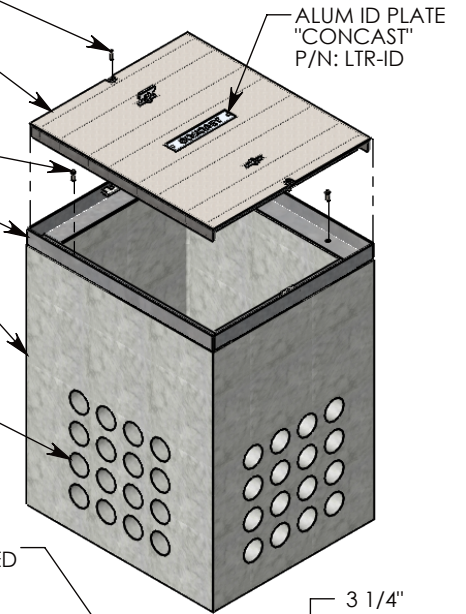
H-20 HEAVY TRAFFIC RATED
 GALVANIZED STEEL COVER
 ~215 LBS
 P/N: 38-44-RSG

1/2-13 UNC X 1.5" LG HEX HD BOLT
 P/N: HHB.5-1.5 (4X)

BOLT DOWN GALV. STEEL FRAME
 ~75 LBS
 P/N: 38-44-FRM

CONCRETE PULL BOX
 ~2890 LBS
 P/N: PB16-38-44-53

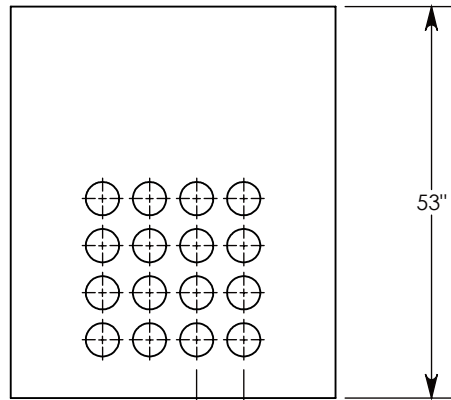
CON-DUCT TERMINATIONS ARE CAST
 INTO BOX SIDEWALLS. 16 PER SIDE (4X)
 THEY FIT UP TO 4" PVC PIPE. TO ACCESS
 THE HOLES, BREAK THE PLASTIC SEAL



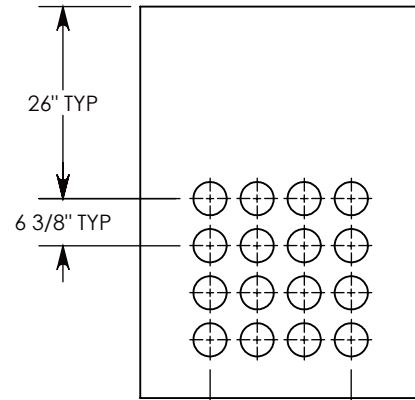
LIFTING LUGS
 SHOWN EXTENDED

Ø 1/2"-13 UNC INSERT (4X) FOR
 PULLING EYES. LOCATED ON
 BOX INTERIOR (1X PER SIDE)

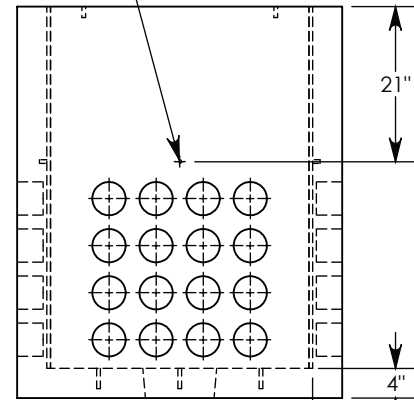
COVER SHOWN IN THIS VIEW



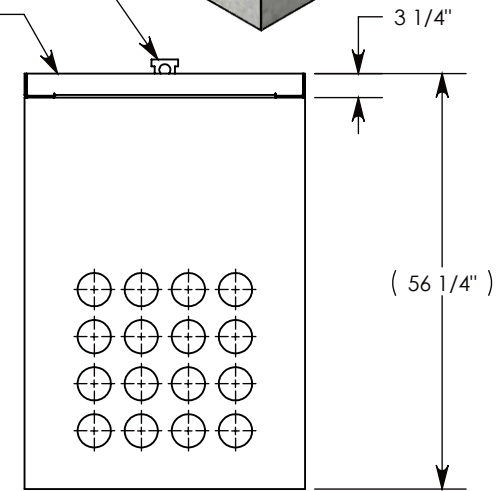
SIDE "A" (HLR)



SIDE "B" (HLR)



SIDE "C"



SIDE "D" (HLR)

NOTE 1: FOR PVC SIZES SMALLER THAN 4", USE CONCAST RC41 (REDUCING COUPLER).

NOTE 2: FOR ADDED SECURITY, PENTA HEAD (P/N: PTA.38-1.5) OF SURELOCK BOLTS (P/N: SL.38-1.25) CAN BE ADDED

AASHTO H-20 RATED – 32,000 LB. SINGLE AXLE LOAD

DRAWN BY: ROBIN FLINT		 1010 NORTH STAR DRIVE P.O. BOX 69 ZUMBROTA, MN 55992-0069	DESCRIPTION:	
DATE: 2/21/2019	REVISION LEVEL: B		CONCRETE PULL BOX W/RSG COVER	
WEIGHT:	MATERIAL:		DIMENSIONS ARE IN INCHES TOLERANCES: FRACTIONAL: ± 1/8" ANGULAR: ± 2°	CONTACT INFORMATION: EMAIL: INFO@CONCASTINC.COM PHONE: (507) 732-4095 FAX: (507) 732-4094
2890 LBS. W/COVER	NOTED	PART NUMBER:		PB16-38-44-53-RSG