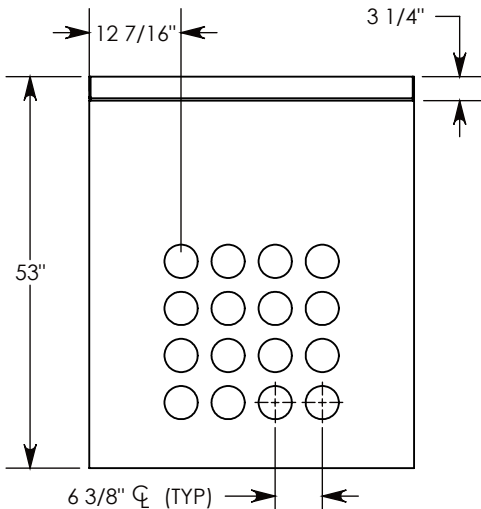
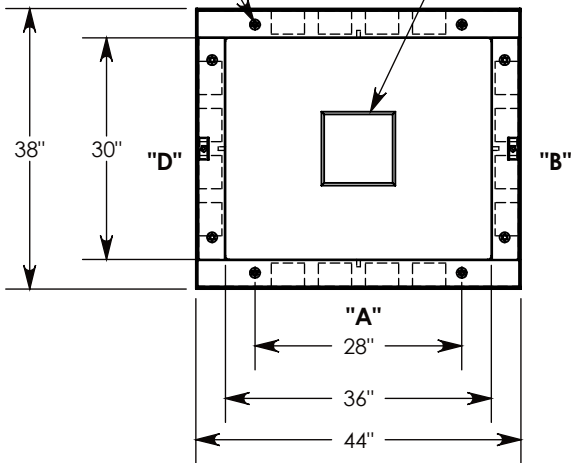
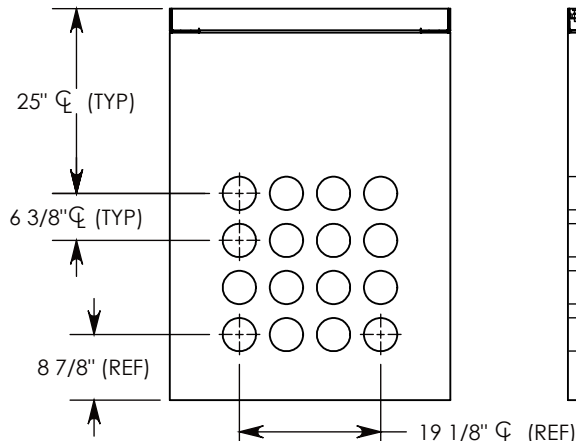


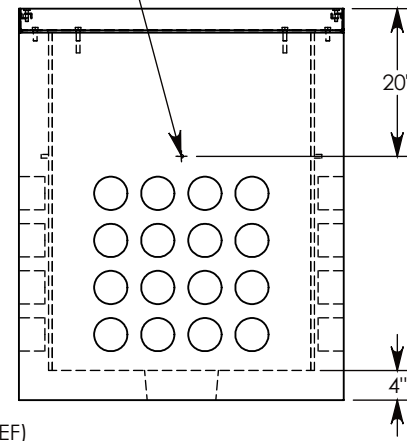
Ø 1/2"-13 UNC INSERTS FOR LIFTING (4X)



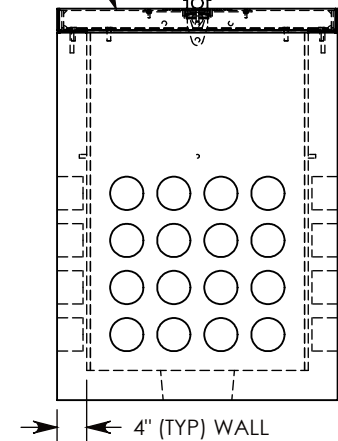
SIDE "A" (HLR)



SIDE "B" (HLR)



SIDE "C"



SIDE "D"

Ø 1/2"-13 UNC INSERT (4X) FOR PULLING EYES. LOCATED ON BOX INTERIOR (1X PER SIDE)

COVER SHOWN IN THIS VIEW

LIFTING LUGS (2X) SHOWN EXTENDED

3/8-16 UNC X 1.5" LG PENTA HD BOLT
PTA.38-1.5 (2X) SEE NOTE 2

38-44-RSGBD H-20 HEAVY
TRAFFIC RATED GALVANIZED
STEEL BOLT-DOWN COVER
~215 LBS.

1/2-13 UNC X 1.5" LG HEX HD BOLT
HHB.5-1.5 (8X)

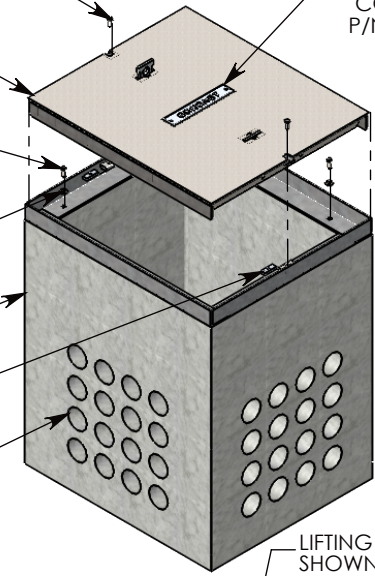
1/2" WASHER - 1-3/8" OD
WSR.50-1.38 (8X)

STEEL REINFORCED CONCRETE PULL BOX
& GALV. STEEL BD FRAME P/N: PB16-38-44-53-R

AL. FLOATING NUT; 2-3/4" X 1 X .5" THICK
FLT-NUT-3 (2X)

CON-DUCT TERMINATIONS ARE CAST
INTO BOX SIDEWALLS. 16 PER SIDE (4X)
THEY FIT UP TO 4" PVC PIPE. TO ACCESS
THE HOLES, BREAK THE PLASTIC SEAL

ALUM ID PLATE
"CONCAST"
P/N: LTR-ID



NOTE 1: FOR PVC SIZES SMALLER THAN 4", USE CONCAST RC41 (REDUCING COUPLER)

NOTE 2: FOR ADDED SECURITY, REPLACE PENTAHEAD BOLTS WITH SURELOCK BOLTS & ORDER UNIT UNDER P/N: PB16-38-44-53-RSGBDSL

H-20 RATED - 32,000 LB. PER AXLE LOAD.

DRAWN BY: ROBIN FLINT

DATE: 11/2/2016

REVISION LEVEL: 0

WEIGHT:

2737 LBS. W/COVER

MATERIAL:

NOTED



1010 NORTH STAR DRIVE
P.O. BOX 69
ZUMBROTA, MN 55992-0069

DESCRIPTION:

PULL BOX W/BOLT-DOWN RSG COVER

DIMENSIONS ARE IN INCHES
TOLERANCES:
FRACTIONAL: ± 1/8"
ANGULAR: ± 2°

CONTACT INFORMATION:
EMAIL: INFO@CONCASTINC.COM
PHONE: (507) 732-4095
FAX: (507) 732-4094

SHEET 1 OF 1

PART NUMBER:

PB16-38-44-53-RSGBD