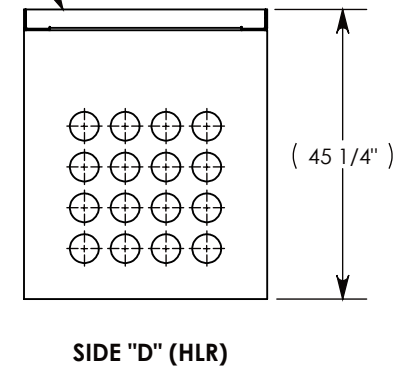
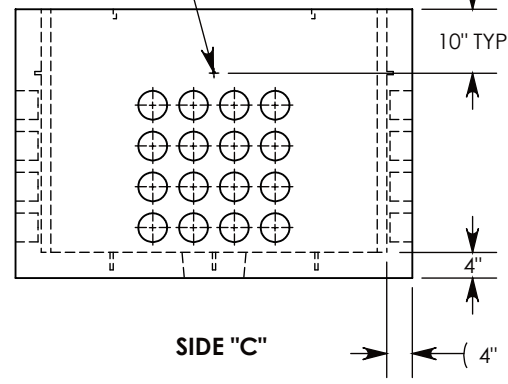
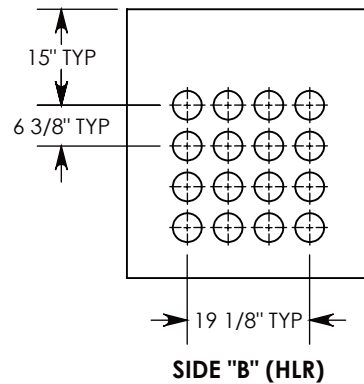
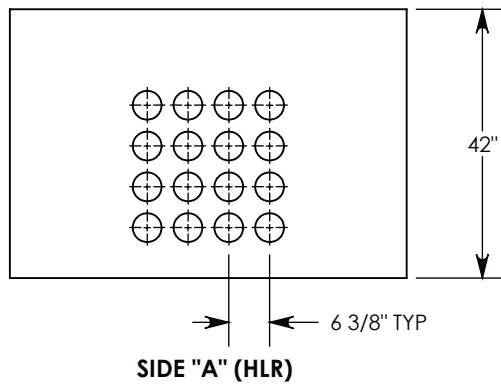


Ø 1/2"-13 UNC INSERTS (4X) FOR LIFTING & PULLING

Ø 1/2"-13 UNC INSERT (4X) FOR PULLING EYES. LOCATED ON BOX INTERIOR (1X PER SIDE)

COVER SHOWN IN THIS VIEW



NOTE 1: FOR PVC SIZES SMALLER THAN 4", USE CONCAST RC41 (REDUCING COUPLER)

DRAWN BY: ROBIN FLINT

DATE: 7/2/2018

REVISION LEVEL: B

WEIGHT:

MATERIAL:

2923 LBS. W/COVER

NOTED



DESCRIPTION:

PULL BOX W/FIBERGLASS COVERS

DIMENSIONS ARE IN INCHES
TOLERANCES:
FRACTIONAL: ± 1/8"
ANGULAR: ± 2°

CONTACT INFORMATION:
EMAIL: INFO@CONCASTINC.COM
PHONE: (507) 732-4095
FAX: (507) 732-4094

SHEET 1 OF 1

PART NUMBER:

PB16-38-62-42-HTFG