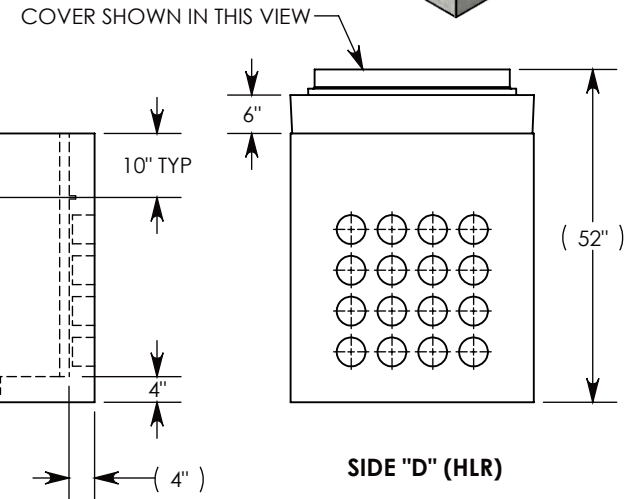
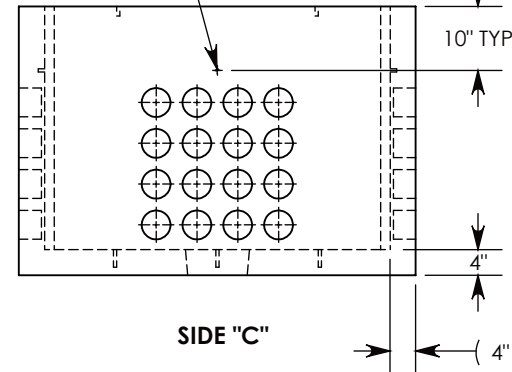
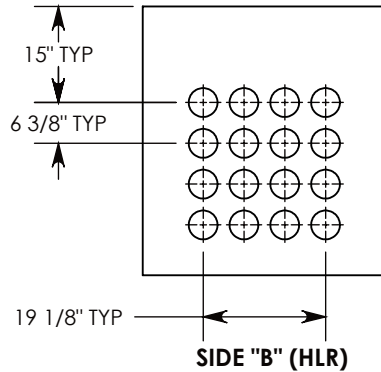
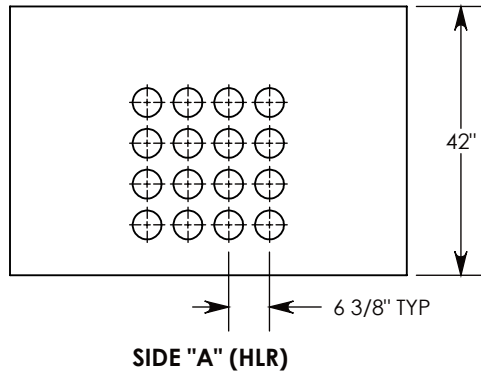


$\varnothing 1/2$ "-13 UNC INSERT (4X) FOR PULLING EYES. LOCATED ON BOX INTERIOR (1X PER SIDE)



**NOTE 1:** FOR PVC SIZES SMALLER THAN 4", USE CONCAST RC41 (REDUCING COUPLER).

AASHTO H-20 RATED - 32,000 LB. SINGLE AXLE LOAD

<b>DRAWN BY: ROBIN FLINT</b>	
<b>DATE: 5/25/2018</b>	<b>REVISION LEVEL: B</b>
<b>WEIGHT: 4097 LBS. W/COVER</b>	<b>MATERIAL: NOTED</b>

**CONCAST**  
 1010 NORTH STAR DRIVE  
 P.O. BOX 69  
 ZUMBROTA, MN 55992-0069

<b>DESCRIPTION:</b>		
<b>PULL BOX W/MANHOLE COVER</b>		
DIMENSIONS ARE IN INCHES	CONTACT INFORMATION:	SHEET 1 OF 1
TOLERANCES:	EMAIL: INFO@CONCASTINC.COM	
FRACTIONAL: $\pm 1/8$ "	PHONE: (507) 732-4095	
ANGULAR: $\pm 2^\circ$	FAX: (507) 732-4094	
<b>PART NUMBER:</b>		
<b>PB16-38-62-42-MH</b>		