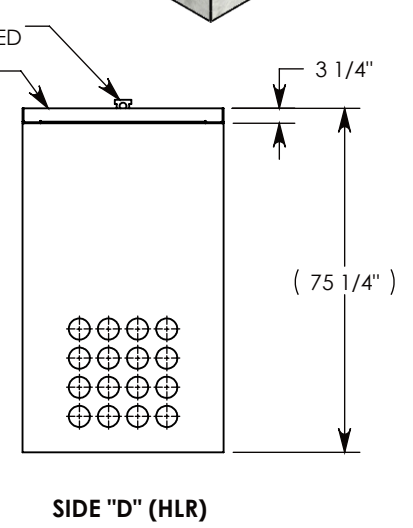
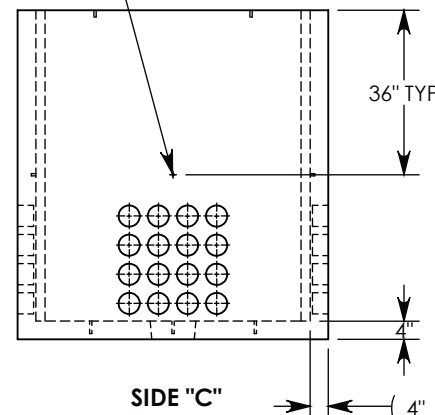
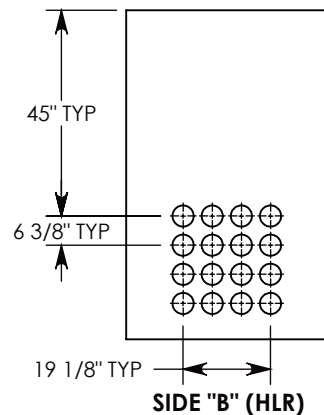
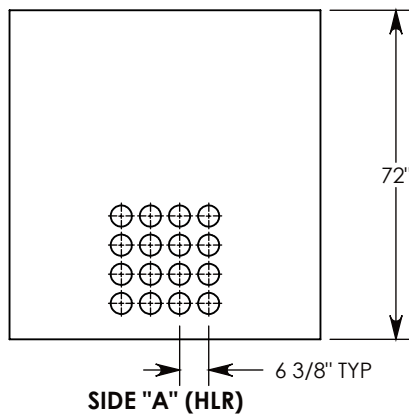


Ø 1/2\"-13 UNC INSERTS (4X) FOR PULLING EYES. LOCATED ON BOX INTERIOR (1X PER SIDE)



**NOTE 1:** FOR PVC SIZES SMALLER THAN 4", USE CONCAST RC41 (REDUCING COUPLER)

**NOTE 2:** FOR ADDED SECURITY, PENTA HEAD (P/N: PTA.38-1.5) OR SURELOCK BOLTS (P/N: SL.38-1.25) CAN BE ADDED

AASHTO H-20 RATED - 32,000 LB. SINGLE AXLE LOAD

<b>DRAWN BY:</b> MALACHI MLINAR	
<b>DATE:</b> 3/14/2019	<b>REVISION LEVEL:</b> A
<b>WEIGHT:</b> 5792 LBS. W/ COVERS	<b>MATERIAL:</b> NOTED



1010 NORTH STAR DRIVE  
P.O. BOX 69  
ZUMBROTA, MN 55992-0069

<b>DESCRIPTION:</b> <b>PULL BOX W/ GALV. STEEL COVER</b>		
DIMENSIONS ARE IN INCHES TOLERANCES: FRACTIONAL: ± 1/8" ANGULAR: ± 2°	CONTACT INFORMATION: EMAIL: INFO@CONCASTINC.COM PHONE: (507) 732-4095 FAX: (507) 732-4094	SHEET 1 OF 1
<b>PART NUMBER:</b> <b>PB16-44-68-72-RSG</b>		