

H-20 HEAVY TRAFFIC RATED REINFORCED CONCRETE COVER
 P/N: 50-114-MH
 ~2617 LBS.

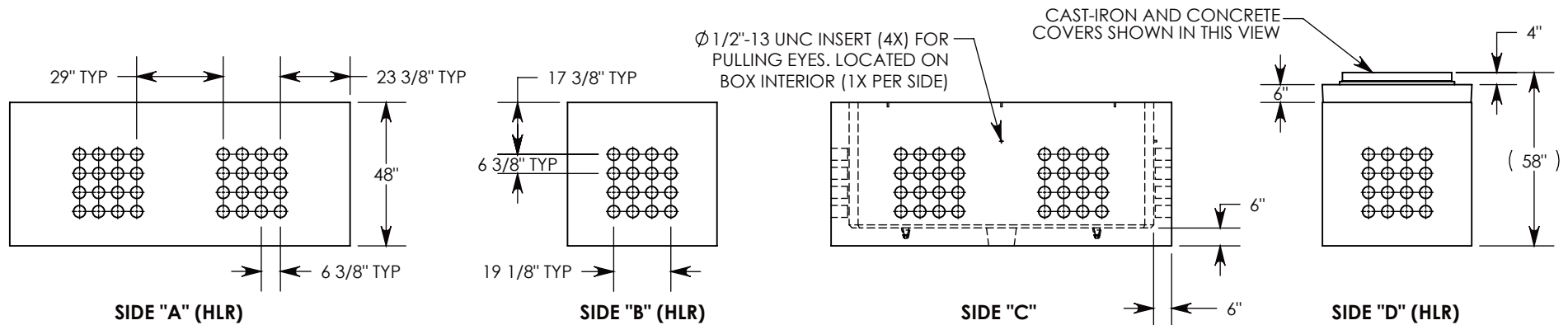
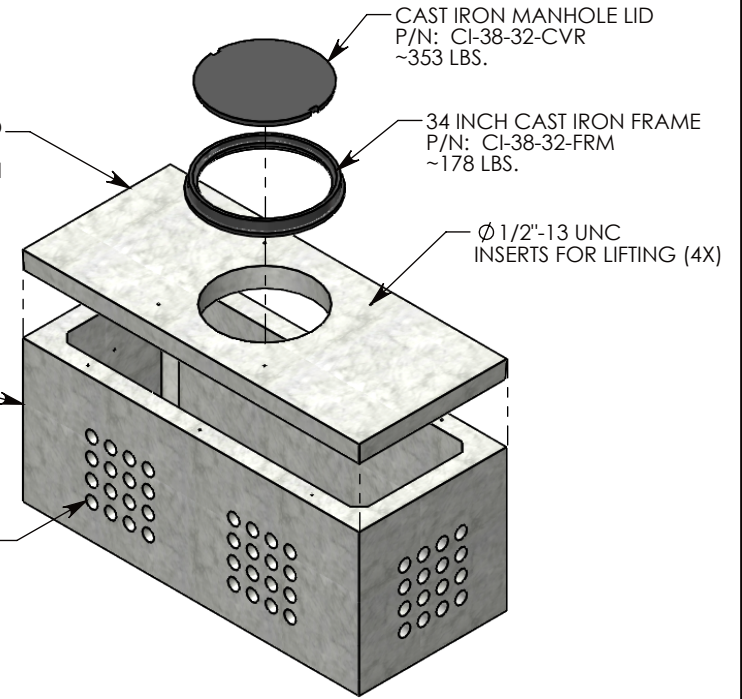
CAST IRON MANHOLE LID
 P/N: CI-38-32-CVR
 ~353 LBS.

34 INCH CAST IRON FRAME
 P/N: CI-38-32-FRM
 ~178 LBS.

Ø 1/2"-13 UNC INSERTS FOR LIFTING (4X)

CONCRETE PULL BOX
 P/N: PB16-50-114-48
 ~8548 LBS

CON-DUCT TERMINATIONS ARE CAST INTO BOX SIDEWALLS. SETS OF 16 ON EACH SIDE. THEY FIT UP TO 4" PVC PIPE. TO ACCESS THE HOLES, BREAK THE PLASTIC SEAL



NOTE 1: FOR PVC SIZES SMALLER THAN 4", USE CONCAST RC41 (REDUCING COUPLER).

AASHTO H-20 RATED - 32,000 LB. SINGLE AXLE LOAD

DRAWN BY: ROBIN FLINT	
CREATED DATE: 6/24/2011	REVISION LEVEL: B
SAVED DATE: 9/10/2021	SAVED BY: scallahan
WEIGHT: 11696 LBS.	MATERIAL: NOTED

CONCAST
 1010 NORTH STAR DRIVE
 P.O. BOX 69
 ZUMBROTA, MN 55992-0069

DESCRIPTION: CONCRETE PULL BOX W/MANHOLE COVER		
DIMENSIONS ARE IN INCHES TOLERANCES: FRACTIONAL: ± 1/8" ANGULAR: ± 2°	CONTACT INFORMATION: EMAIL: INFO@CONCASTINC.COM PHONE: (507) 732-4095 FAX: (507) 732-4094	SHEET 1 OF 1
PART NUMBER: PB16-50-114-48-MH		