

3/8-16 UNC X 2.50" LG HEX HD BOLT, GRADE 8
 P/N HHB.38-2.5G8

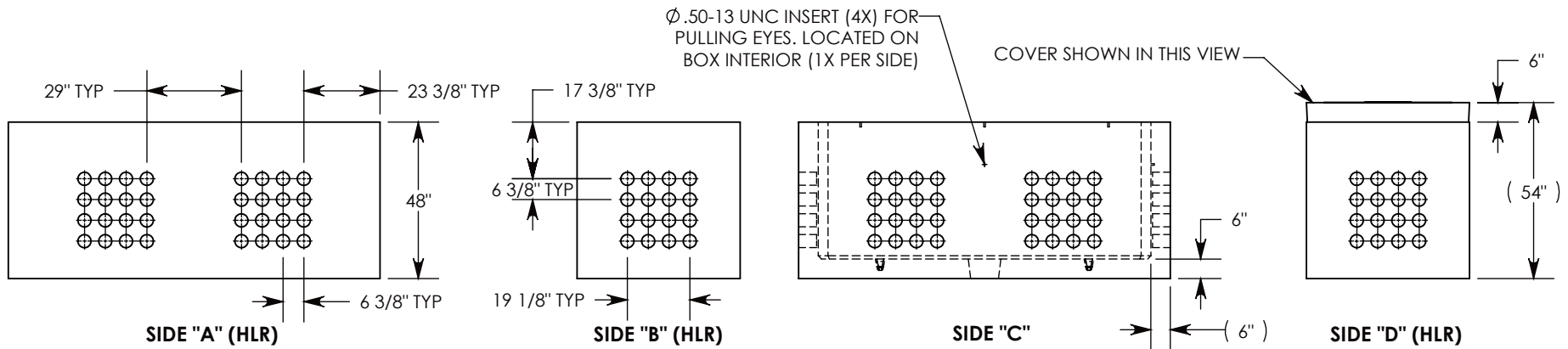
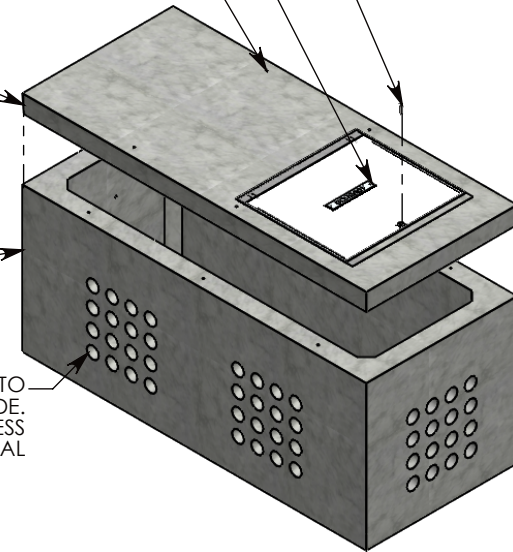
ALUM ID PLATE "CONCAST" P/N: LTR-ID

Ø 1/2-13 UNC INSERTS FOR LIFTING (4X)

H-20 HEAVY TRAFFIC RATED
 REINFORCED CONCRETE COVER
 WITH SPRING-ASSISTED CAST-IN
 GALVANIZED STEEL LID
 ~2,247 LBS.
 P/N: 50-114-SA

CONCRETE PULL BOX
 ~8548 LBS
 P/N: PB16-50-114-48

CON-DUCT TERMINATIONS ARE CAST INTO
 BOX SIDEWALLS. SETS OF 16 ON EACH SIDE.
 THEY FIT UP TO 4" PVC PIPE. TO ACCESS
 THE HOLES, BREAK THE PLASTIC SEAL



NOTE 1: FOR PVC SIZES SMALLER THAN 4", USE CONCAST RC41 (REDUCING COUPLER).

NOTE 2: FOR ADDED SECURITY, PENTA HEAD (P/N: PTA.38-1.5) OR SURELOCK BOLT (P/N: SL.38-1.5) CAN BE ADDED

AASHTO H-20 RATED - 32,000 LB. SINGLE AXLE LOAD

DRAWN BY: ROBIN FLINT	
CREATED DATE: 6/24/2011	REVISION LEVEL: B
SAVED DATE: 9/13/2021	SAVED BY: scallahan
WEIGHT: 10795 LBS.	MATERIAL: NOTED

1010 NORTH STAR DRIVE
 P.O. BOX 69
 ZUMBROTA, MN 55992-0069

DESCRIPTION: PULL BOX WITH SPRING-ASSIST RSG COVER		
DIMENSIONS ARE IN INCHES TOLERANCES: FRACTIONAL: ± 1/8" ANGULAR: ± 2°	CONTACT INFORMATION: EMAIL: INFO@CONCASTINC.COM PHONE: (507) 732-4095 FAX: (507) 732-4094	SHEET 1 OF 1
PART NUMBER: PB16-50-114-48-SA		