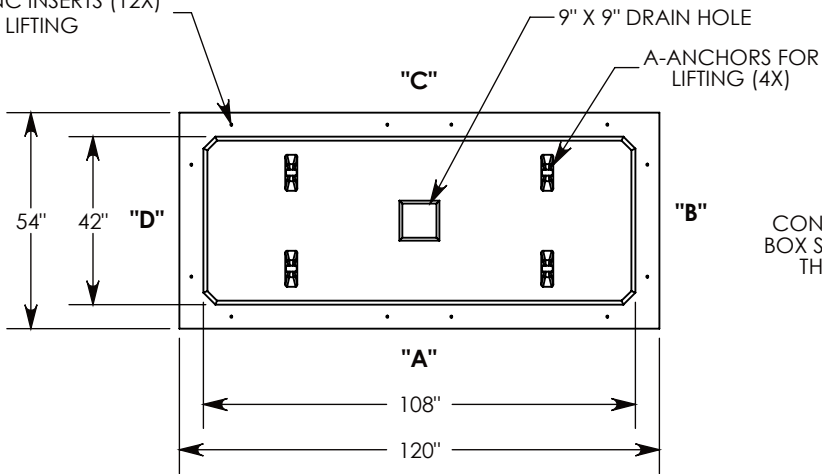
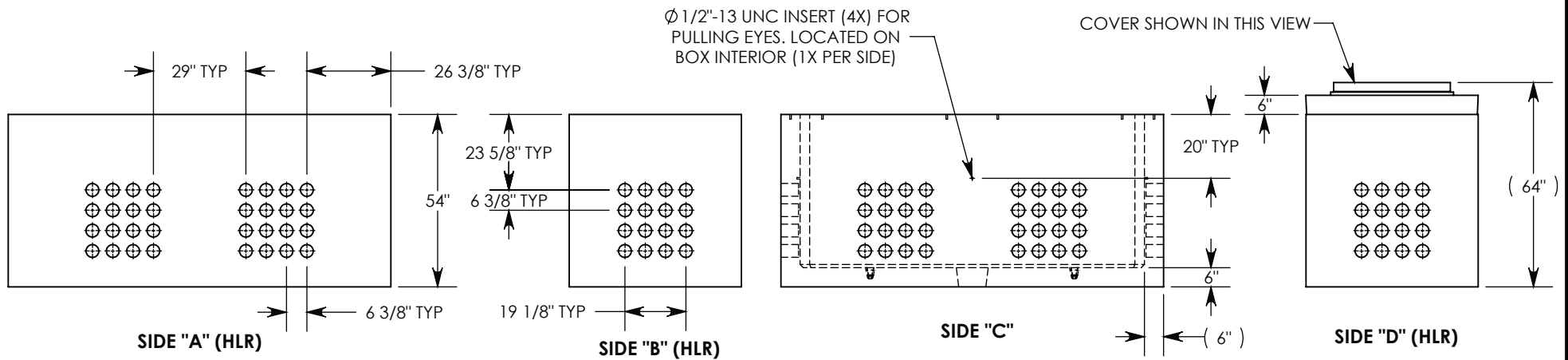
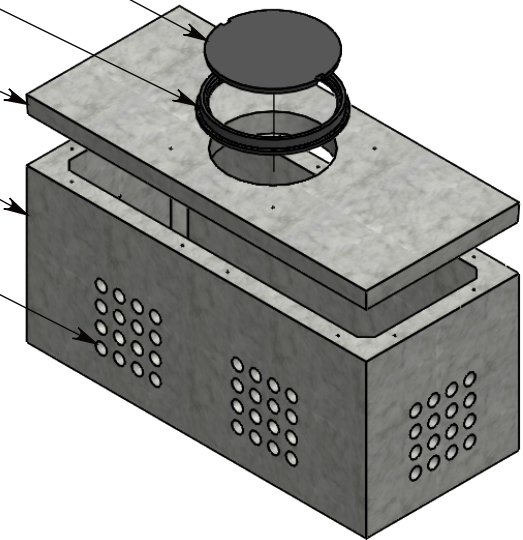


Ø 1/2"-13 UNC INSERTS (12X)  
FOR LIFTING



- CAST IRON MANHOLE LID  
~353 LBS  
P/N: CI-38-32-CVR
- 34 INCH CAST IRON FRAME  
~178 LBS  
P/N: CI-38-32-FRM
- H-20 HEAVY TRAFFIC RATED  
CONCRETE MANHOLE COVER  
~3052 LBS  
P/N: 54-120-MH
- CONCRETE PULL BOX  
~10309 LBS  
P/N: PB16-54-120-54

CON-DUCT TERMINATIONS ARE CAST INTO  
BOX SIDEWALLS. SETS OF 16 ON EACH SIDE.  
THEY FIT UP TO 4" PVC PIPE. TO ACCESS  
THE HOLES, BREAK THE PLASTIC SEAL



**NOTE 1:** FOR PVC SIZES SMALLER THAN 4", USE CONCAST RC41 (REDUCING COUPLER)

AASHTO H-20 RATED – 32,000 LB. SINGLE AXLE LOAD

**DRAWN BY:** MALACHI MLINAR

**DATE:** 8/8/2018

**REVISION LEVEL:** A

**WEIGHT:**

13892 LBS. W/COVER

**MATERIAL:**

NOTED



**DESCRIPTION:**

**PULL BOX W/MANHOLE COVER**

DIMENSIONS ARE IN INCHES  
TOLERANCES:  
FRACTIONAL: ± 1/8"  
ANGULAR: ± 2°

CONTACT INFORMATION:  
EMAIL: INFO@CONCASTINC.COM  
PHONE: (507) 732-4095  
FAX: (507) 732-4094

SHEET 1 OF 1

**PART NUMBER:**

**PB16-54-120-54-MH**