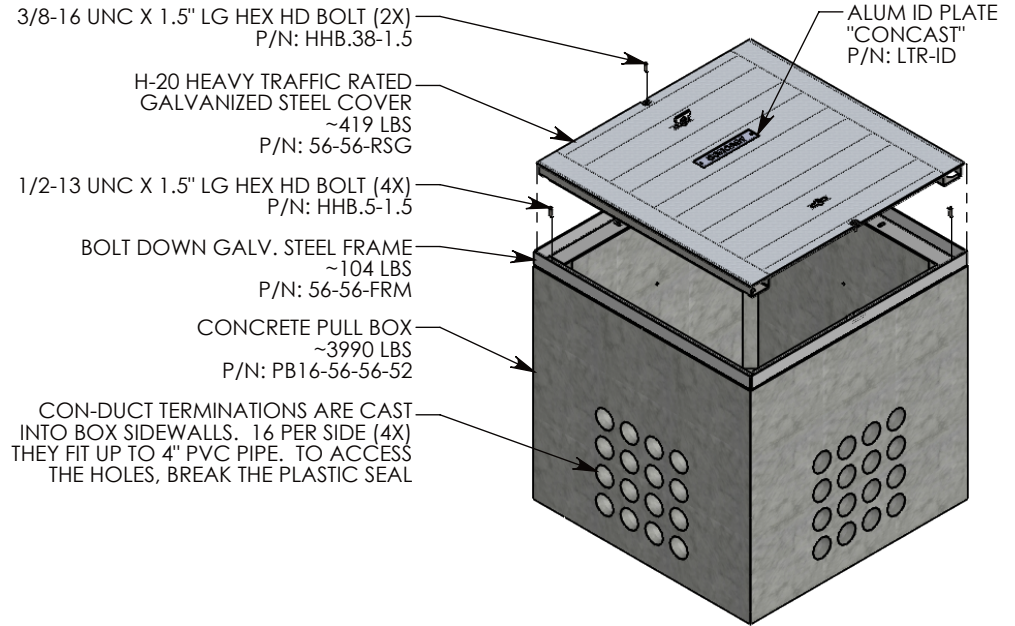
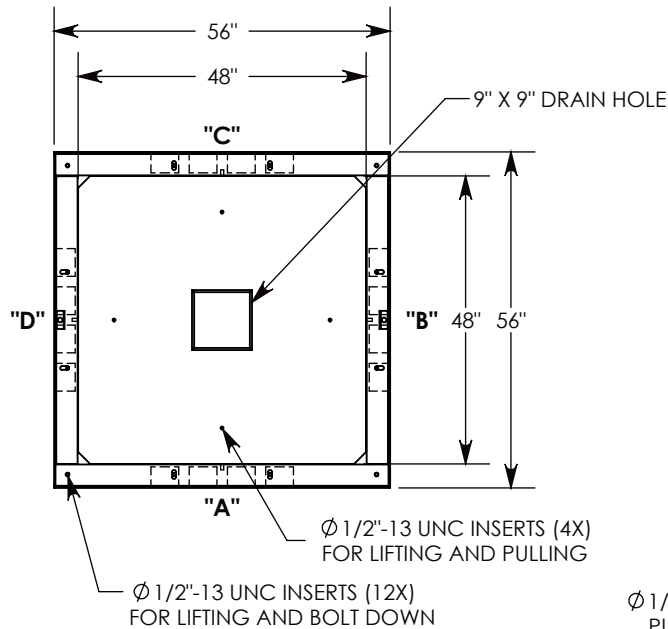
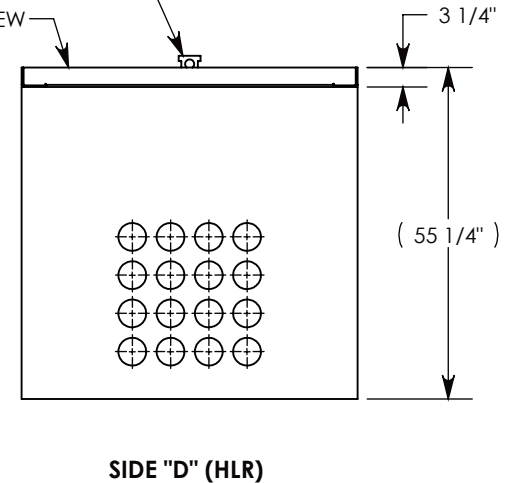
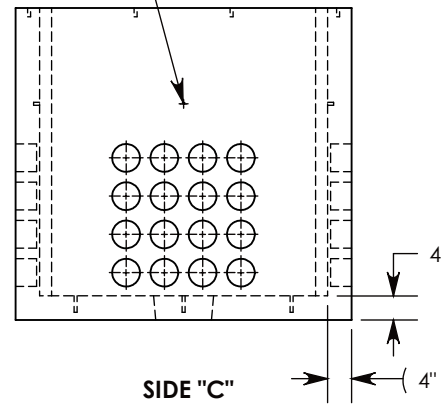
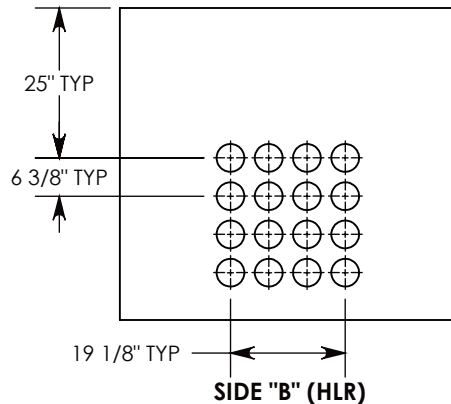
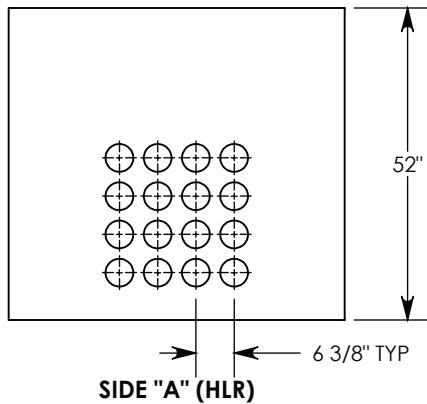


REV. B - MKM - 6/5/2018 - UPDATED MODEL & DRAWING
 REV. C - SIC - 5/22/2019 - UPDATED SURELOCK NOTE
 REV. D - SIC - 10/10/2019 - UPDATED NOTES AND DIMENSIONS; 1/2"-13 UNC BOLT DOWN INSERTS, QTY: 12 WAS QTY: 4



Ø 1/2"-13 UNC INSERT (4X) FOR PULLING EYES. LOCATED ON BOX INTERIOR (1X PER SIDE)
 LIFTING LUG SHOWN EXTENDED
 COVER SHOWN IN THIS VIEW



NOTE 1: FOR PVC SIZES SMALLER THAN 4", USE CONCAST RC41 (REDUCING COUPLER)
 NOTE 2: FOR ADDED SECURITY, PENTA HEAD (P/N: PTA.38-1.5) OR SURELOCK BOLTS (P/N: SL.38-1.25) CAN BE ADDED

AASHTO H-20 RATED - 32,000 LB. SINGLE AXLE LOAD

DRAWN BY: ROBIN FLINT	
CREATED DATE: 3/26/2010	REVISION LEVEL: D
SAVED DATE: 10/10/2019	SAVED BY: scallahan
WEIGHT: 4514 LBS.	MATERIAL: NOTED

1010 NORTH STAR DRIVE
 P.O. BOX 69
 ZUMBROTA, MN 55992-0069

DESCRIPTION: PULL BOX W/ GALV. STEEL COVER		
DIMENSIONS ARE IN INCHES TOLERANCES: FRACTIONAL: ± 1/8" ANGULAR: ± 2°	CONTACT INFORMATION: EMAIL: INFO@CONCASTINC.COM PHONE: (507) 732-4095 FAX: (507) 732-4094	SHEET 1 OF 1
PART NUMBER: PB16-56-56-52-RSG		