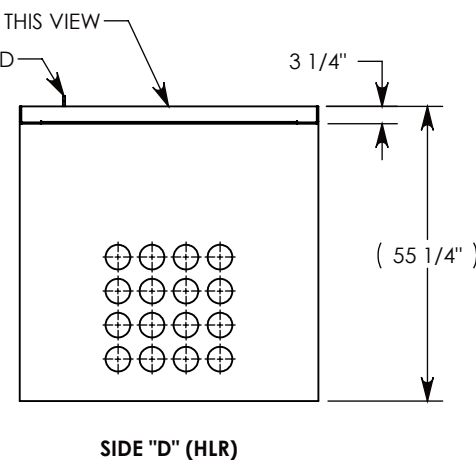
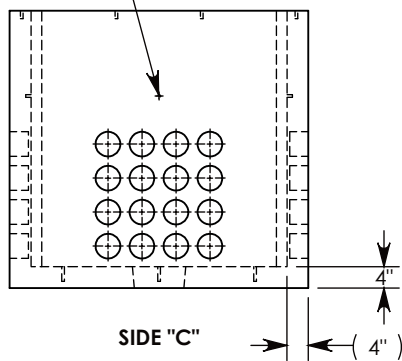
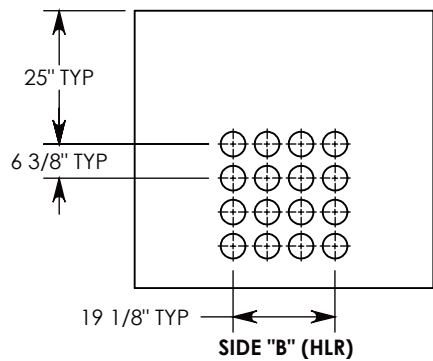
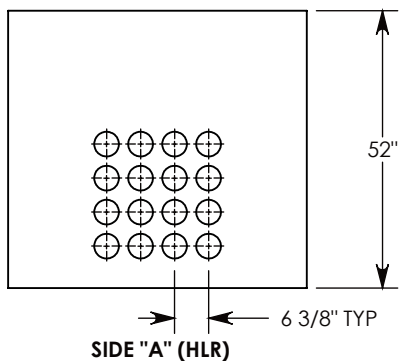
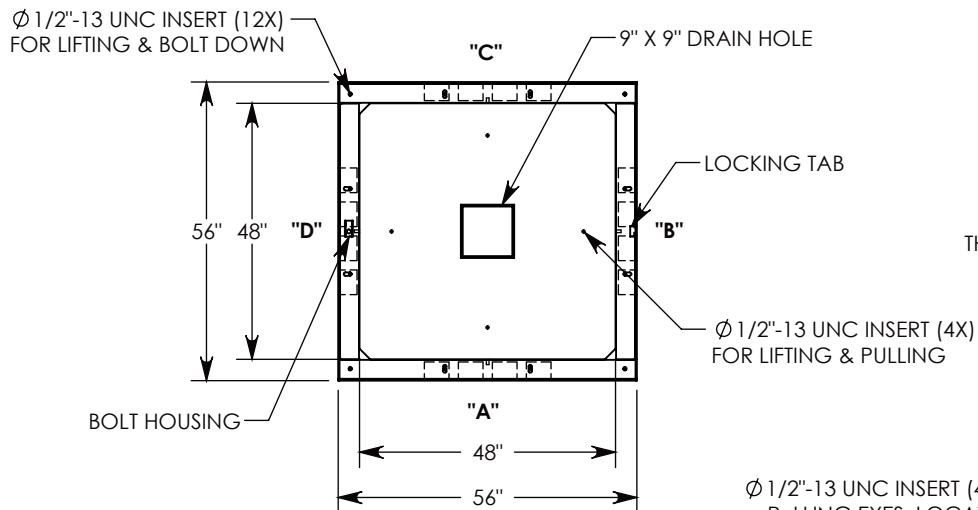
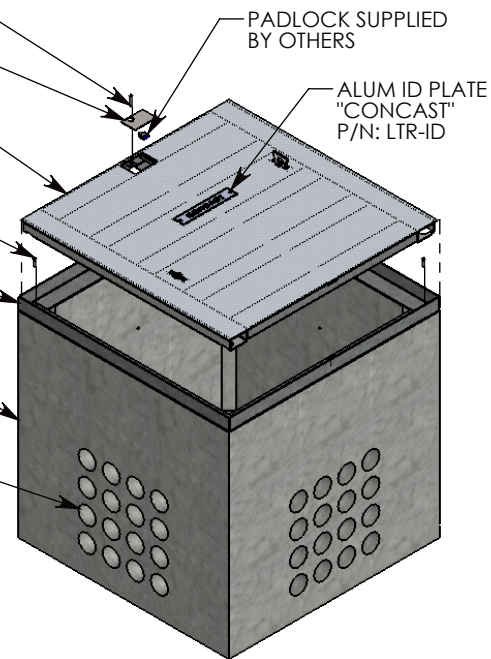


- 3/8"-16 UNC X 2-1/2" LG SURELOCK SS BOLT
P/N: SL.38-2.5
- ACCESS COVER PLATE
P/N: AC-VC2
- H-20 HEAVY TRAFFIC RATED GALVANIZED STEEL COVER
~418 LBS
P/N: 56-56-RSGSLP
- 1/2"-13 UNC X 1.5" LG HEX HD BOLT (4X)
P/N: HHB.5-1.5
- BOLT-DOWN GALV. STEEL FRAME
~104 LBS
P/N: 56-56-FRM
- CONCRETE PULL BOX
~3990 LBS
P/N: PB16-56-56-52



NOTE 1: FOR PVC SIZES SMALLER THAN 4", USE CONCAST RC41 (REDUCING COUPLER)

AASHTO H-20 RATED - 32,000 LB. SINGLE AXLE LOAD

DRAWN BY: MALACHI MLINAR	
CREATED DATE: 9/20/2018	REVISION LEVEL: B
SAVED DATE: 10/10/2019	SAVED BY: scallahan
WEIGHT: 4513 LBS.	MATERIAL: NOTED

1010 NORTH STAR DRIVE
P.O. BOX 69
ZUMBROTA, MN 55992-0069

DESCRIPTION: PULL BOX W/ GALV. STEEL COVER		
DIMENSIONS ARE IN INCHES TOLERANCES: FRACTIONAL: ± 1/8" ANGULAR: ± 2°	CONTACT INFORMATION: EMAIL: INFO@CONCASTINC.COM PHONE: (507) 732-4095 FAX: (507) 732-4094	SHEET 1 OF 1
PART NUMBER: PB16-56-56-52-RSGSLP		