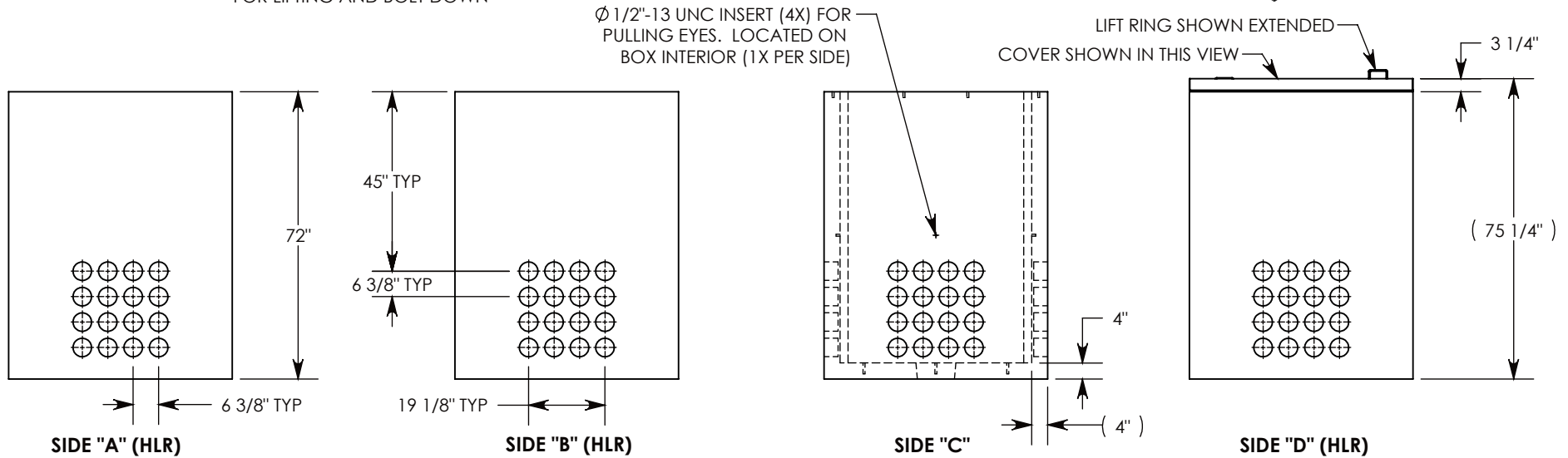
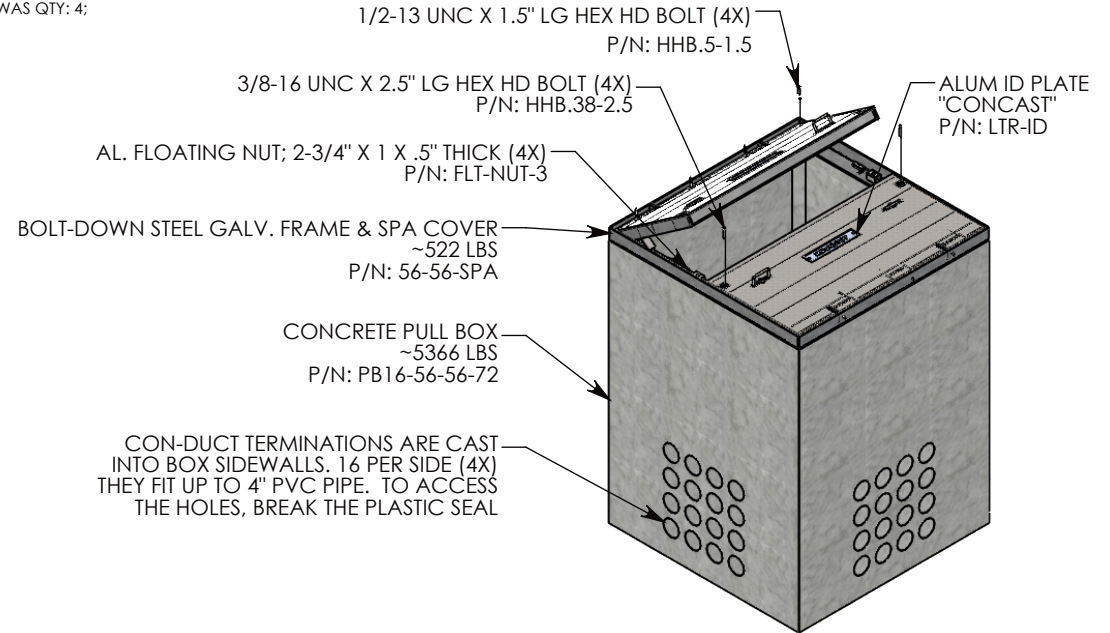
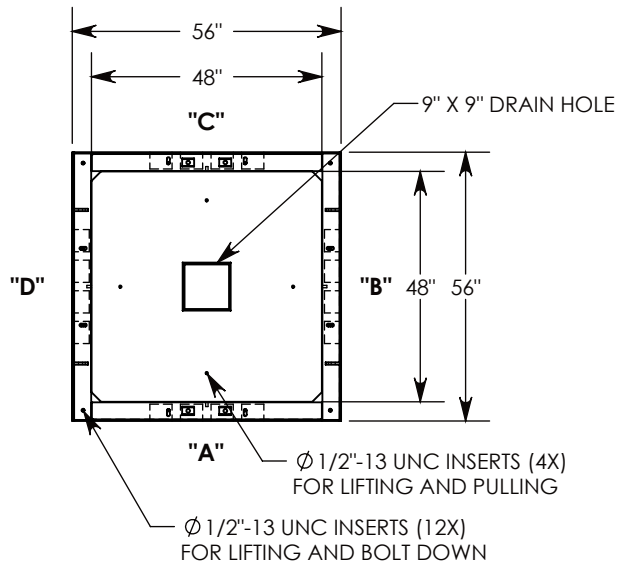


REV A - MKM - 10/26/18 - UPDATED NOTES  
 REV.B - SIC - 10/10/2019 - UPDATED NOTES AND DIMENSIONS; 1/2"-13 UNC BOLT DOWN INSERTS, QTY: 12 WAS QTY: 4;  
 UPDATED COVER BOLT LENGTH AND ADDED SECURITY NOTE



NOTE 1: FOR PVC SIZES SMALLER THAN 4", USE CONCAST RC41 (REDUCING COUPLER)  
 NOTE 2: FOR ADDED SECURITY, PENTA HEAD (P/N: PTA.38-2.5) OR SURELOCK BOLTS (P/N: SL.38-2.5) CAN BE ADDED

AASHTO H-20 RATED - 32,000 LB. SINGLE AXLE LOAD

<b>DRAWN BY:</b> ROBIN FLINT	
<b>CREATED DATE:</b> 3/26/2010	<b>REVISION LEVEL:</b> B
<b>SAVED DATE:</b> 10/11/2019	<b>SAVED BY:</b> scallahan
<b>WEIGHT:</b> 5896 LBS.	<b>MATERIAL:</b> NOTED

1010 NORTH STAR DRIVE  
 P.O. BOX 69  
 ZUMBROTA, MN 55992-0069

<b>DESCRIPTION:</b> PULL BOX W/SPRING ASSIST GALV STL COVER		
DIMENSIONS ARE IN INCHES TOLERANCES: FRACTIONAL: ± 1/8" ANGULAR: ± 2°	CONTACT INFORMATION: EMAIL: INFO@CONCASTINC.COM PHONE: (507) 732-4095 FAX: (507) 732-4094	SHEET 1 OF 1
<b>PART NUMBER:</b> PB16-56-56-72-SPA		