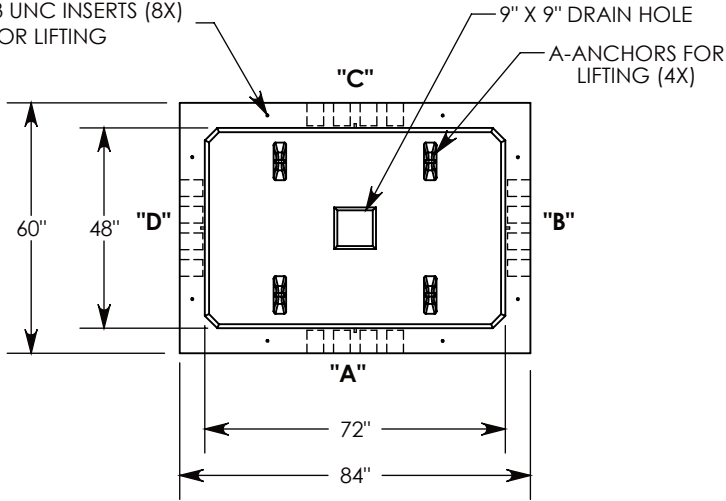
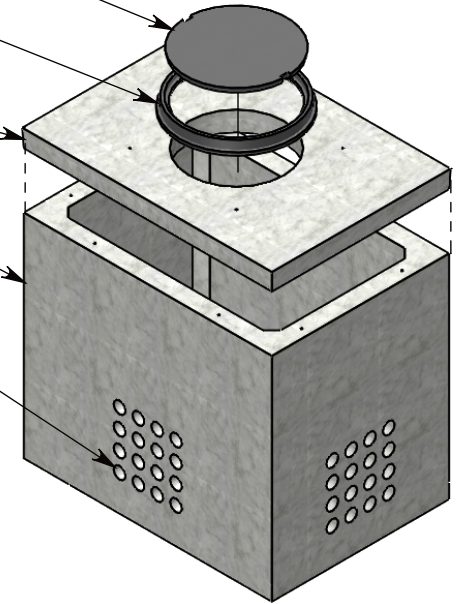


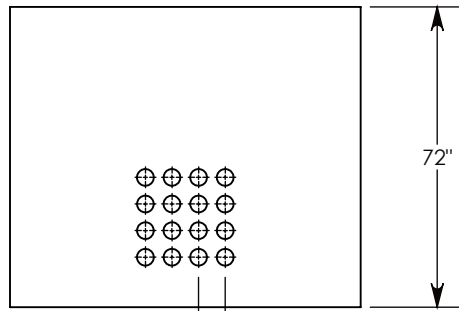
Ø 1/2"-13 UNC INSERTS (8X)
FOR LIFTING



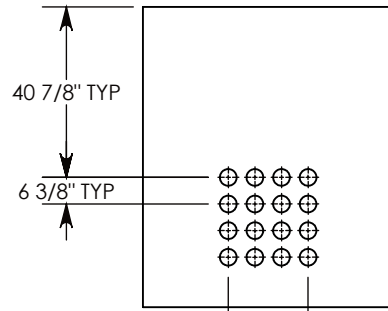
- CAST IRON MANHOLE LID
~353 LBS
P/N: CI-38-32-CVR
- 34 INCH CAST IRON FRAME
~178 LBS
P/N: CI-38-32-FRM
- H-20 HEAVY TRAFFIC RATED
CONCRETE MANHOLE COVER
~2296 LBS
P/N: 60-84-MH
- CONCRETE PULL BOX
~10726 LBS
P/N: PB16-60-84-72
- CON-DUCT TERMINATIONS ARE CAST INTO BOX SIDEWALLS. 16 PER SIDE (4X) THEY FIT UP TO 4" PVC PIPE. TO ACCESS THE HOLES, BREAK THE PLASTIC SEAL



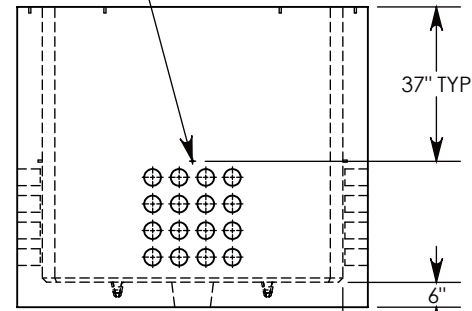
Ø 1/2"-13 UNC INSERT (4X) FOR PULLING EYES. LOCATED ON BOX INTERIOR (1X PER SIDE)



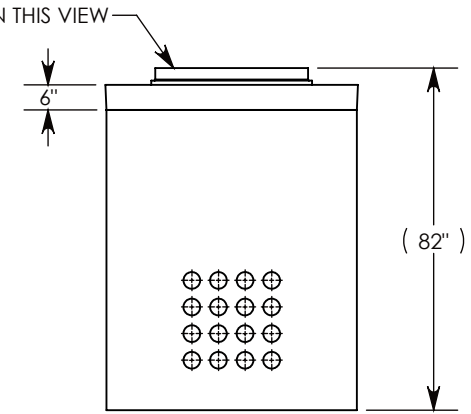
SIDE "A" (HLR)



SIDE "B" (HLR)



SIDE "C"



SIDE "D" (HLR)

NOTE 1: FOR PVC SIZES SMALLER THAN 4", USE CONCAST RC41 (REDUCING COUPLER).

AASHTO H-20 RATED - 32,000 LB. SINGLE AXLE LOAD

DRAWN BY: ROBIN FLINT

DATE: 8/13/2018

REVISION LEVEL: B

WEIGHT:

MATERIAL:

13553 LBS. W/COVER

NOTED



DESCRIPTION:

PULL BOX W/MANHOLE COVER

DIMENSIONS ARE IN INCHES
TOLERANCES:
FRACTIONAL: ± 1/8"
ANGULAR: ± 2°

CONTACT INFORMATION:
EMAIL: INFO@CONCASTINC.COM
PHONE: (507) 732-4095
FAX: (507) 732-4094

SHEET 1 OF 1

PART NUMBER:

PB16-60-84-72-MH