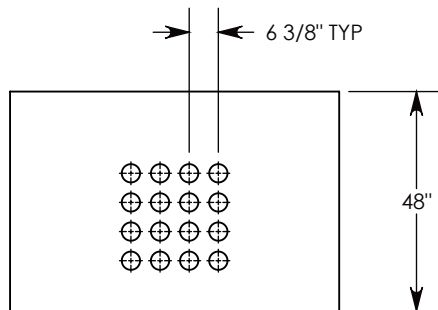
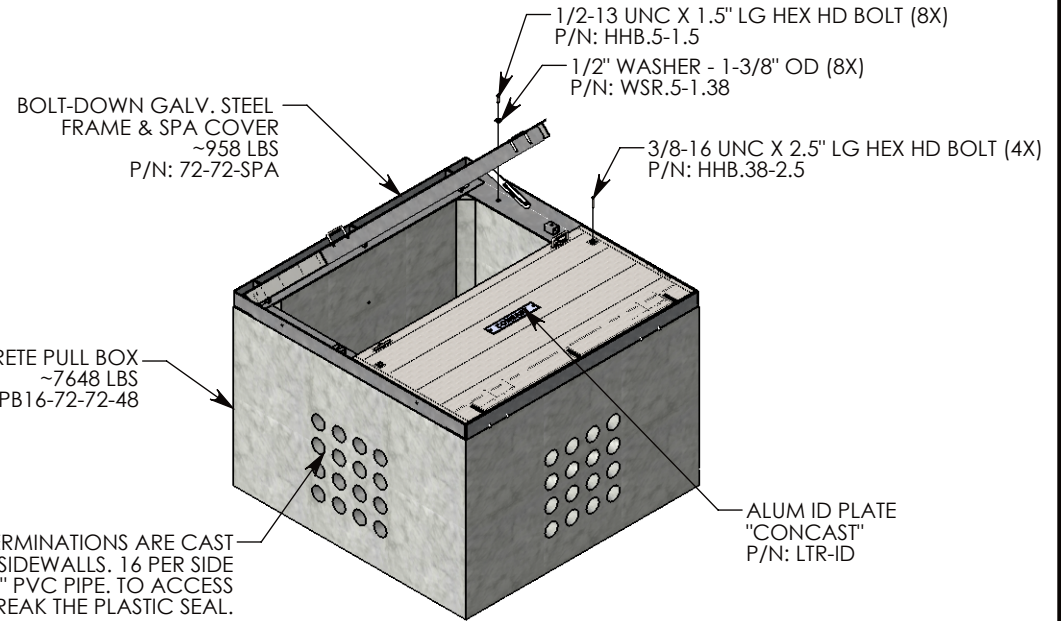
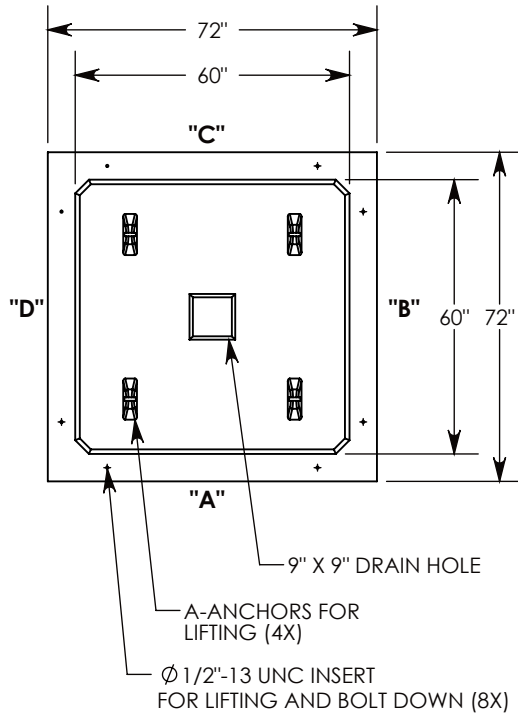
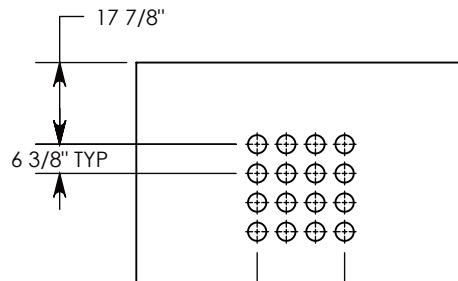


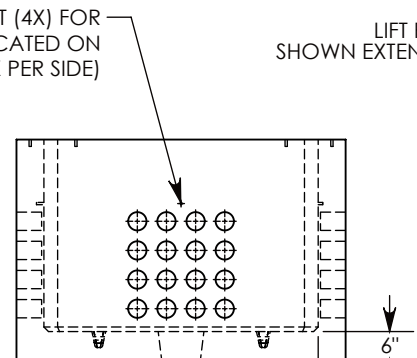
REV. A - SIC - 6/10/2019 - UPDATED ANNOTATIONS, DIMENSIONS, BOX HEIGHT AND VIEWS
 REV. B - JCG - 10/22/2020 - UPDATED COVER



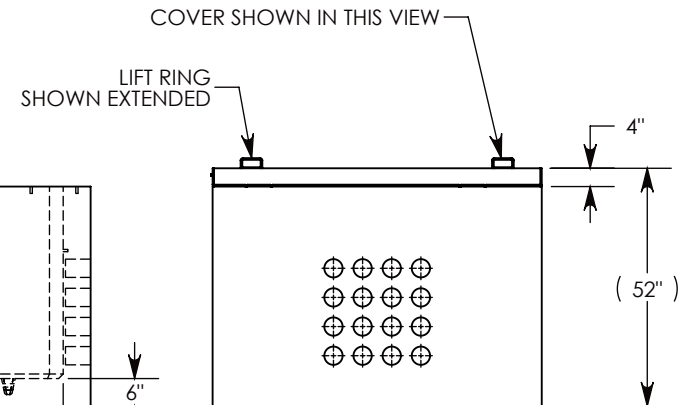
SIDE "A" (HLR)



SIDE "B" (HLR)



SIDE "C"



SIDE "D" HLR

NOTE 1: FOR ADDED SECURITY, PENTA HEAD (P/N: PTA.38-2.5) OR SURELOCK BOLTS (P/N: SL.38-2.5) CAN BE ADDED
NOTE 2: FOR PVC SIZES SMALLER THAN 4", USE CONCAST RC41 (REDUCING COUPLER)

AASHTO H-20 RATED - 32,000 LB. SINGLE AXLE LOAD

DRAWN BY: **JESSE GUTTING**

CREATED DATE: **6/24/2011** REVISION LEVEL: **B**

SAVED DATE: **10/22/2020** SAVED BY: **jgutting**

WEIGHT: **8607 LBS.**
 MATERIAL: **NOTED**



DESCRIPTION:
CONCRETE PULL BOX W/ SPA COVER

DIMENSIONS ARE IN INCHES TOLERANCES: FRACTIONAL: ± 1/8" ANGULAR: ± 2°	CONTACT INFORMATION: EMAIL: INFO@CONCASTINC.COM PHONE: (507) 732-4095 FAX: (507) 732-4094	SHEET 1 OF 1
--	---	--------------

PART NUMBER:
PB16-72-72-48-SPA