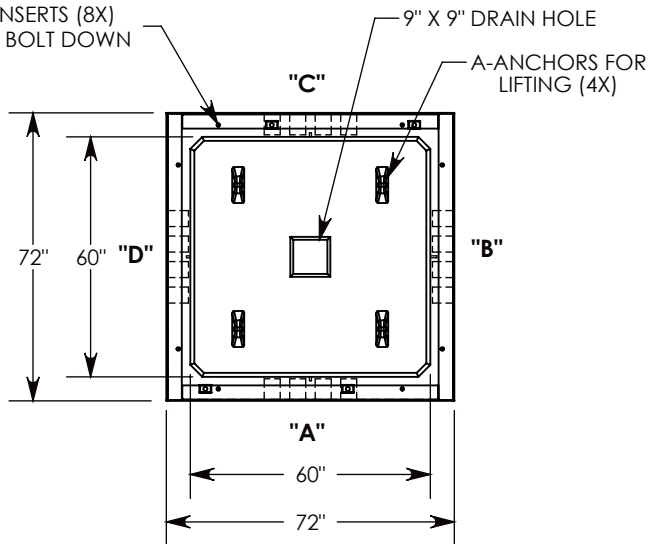


Ø 1/2"-13 UNC INSERTS (8X)
 FOR LIFTING AND BOLT DOWN



3/8-16 UNC X 1.5" LG HEX HD BOLT (4X)
 P/N: HHB.38-1.5

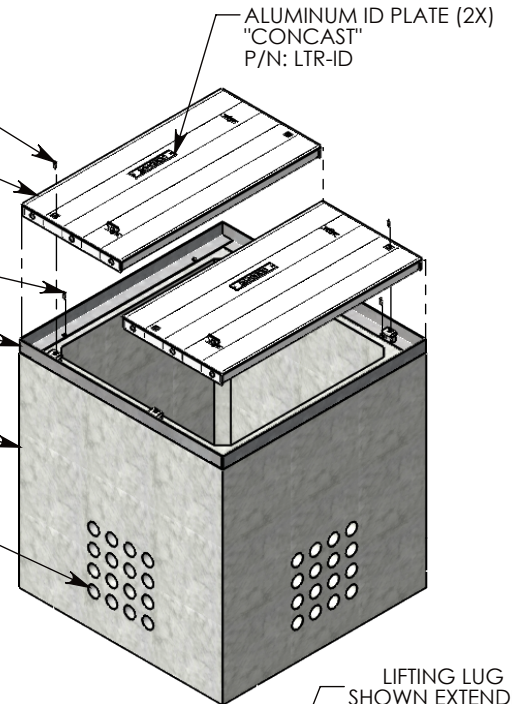
H-20 HEAVY TRAFFIC RATED
 GALVANIZED STEEL COVER (2X)
 ~360 LBS
 P/N: 72-36-RSG

1/2-13 UNC X 1.5" LG HEX HD BOLT (8X)
 P/N: HHB.5-1.5

BOLT DOWN GALV. STEEL FRAME
 ~153 LBS
 P/N: 72-72-FRM

CONCRETE PULL BOX
 ~10797 LBS
 P/N: PB16-72-72-72

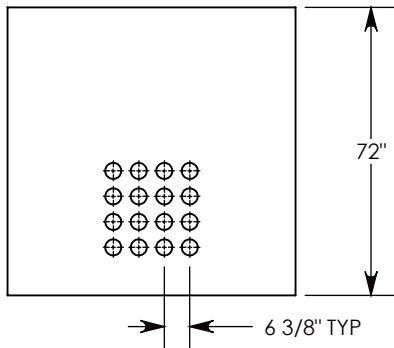
CON-DUCT TERMINATIONS ARE CAST
 INTO BOX SIDEWALLS. 16 PER SIDE (4X)
 THEY FIT UP TO 4" PVC PIPE. TO ACCESS
 THE HOLES, BREAK THE PLASTIC SEAL



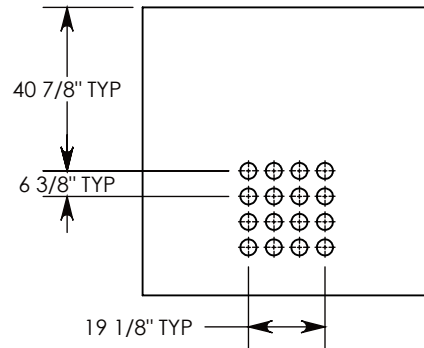
Ø 1/2"-13 UNC INSERT (4X) FOR
 PULLING EYES. LOCATED ON
 BOX INTERIOR (1X PER SIDE)

COVER SHOWN IN THIS VIEW

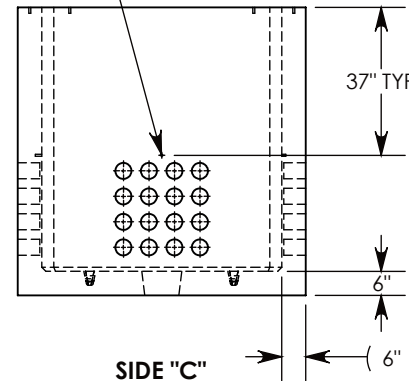
LIFTING LUG
 SHOWN EXTENDED



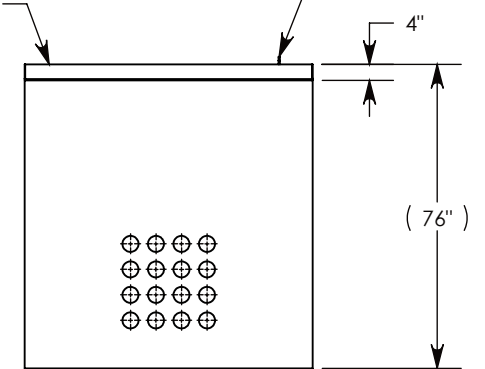
SIDE "A" (HLR)



SIDE "B" (HLR)



SIDE "C"



SIDE "D" (HLR)

NOTE 1: FOR PVC SIZES SMALLER THAN 4", USE CONCAST RC41 (REDUCING COUPLER).

NOTE 2: FOR ADDED SECURITY, PENTA HEAD (P/N: PTA.38-1.5) OR SURELOCK BOLTS (P/N: SL.38-1.25) CAN BE ADDED

AASHTO H-20 RATED - 32,000 LB. SINGLE AXLE LOAD

DRAWN BY: ROBIN FLINT	
DATE: 6/7/2019	REVISION LEVEL: C
WEIGHT:	MATERIAL:
11670 LBS. W/COVERS	NOTED

1010 NORTH STAR DRIVE
 P.O. BOX 69
 ZUMBROTA, MN 55992-0069

DESCRIPTION:		
PULL BOX W/GALV. STEEL COVERS		
DIMENSIONS ARE IN INCHES	CONTACT INFORMATION:	
TOLERANCES:	EMAIL: INFO@CONCASTINC.COM	SHEET 1 OF 1
FRACTIONAL: ± 1/8"	PHONE: (507) 732-4095	
ANGULAR: ± 2°	FAX: (507) 732-4094	
PART NUMBER:		
PB16-72-72-72-RSG		