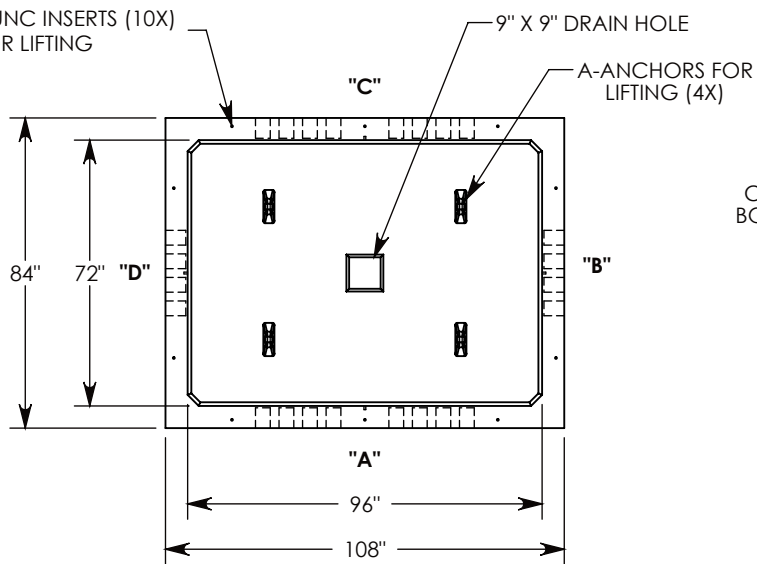


Ø 1/2"-13 UNC INSERTS (10X)  
FOR LIFTING



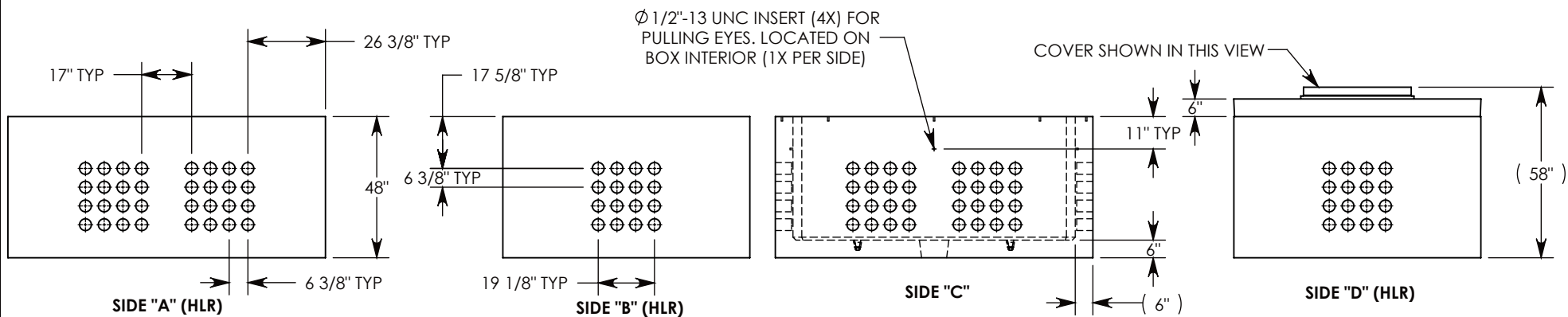
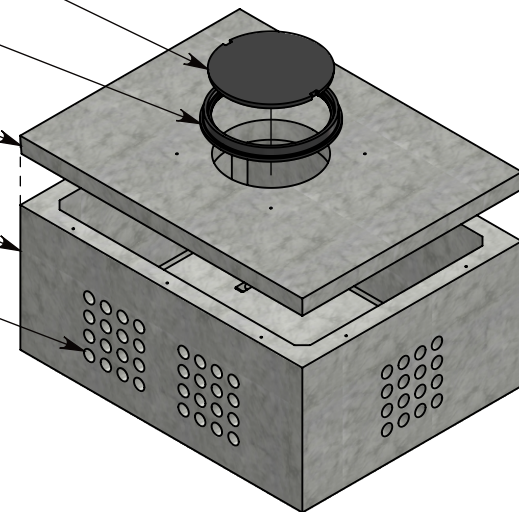
CAST IRON MANHOLE LID  
~353 LBS  
P/N: CI-38-32-CVR

34 INCH CAST IRON FRAME  
~178 LBS  
P/N: CI-38-32-FRM

H-20 HEAVY TRAFFIC RATED  
CONCRETE MANHOLE COVER  
~4518 LBS  
P/N: 84-108-MH

CONCRETE PULL BOX  
~11363 LBS  
P/N: PB16-84-108-48

CON-DUCT TERMINATIONS ARE CAST INTO  
BOX SIDEWALLS. SETS OF 16 ON EACH SIDE.  
THEY FIT UP TO 4" PVC PIPE. TO ACCESS  
THE HOLES, BREAK THE PLASTIC SEAL



**NOTE 1:** FOR PVC SIZES SMALLER THAN 4", USE CONCAST RC41 (REDUCING COUPLER).

AASHTO H-20 RATED – 32,000 LB. SINGLE AXLE LOAD

<b>DRAWN BY:</b> MALACHI MLINAR	
<b>DATE:</b> 4/3/2019	<b>REVISION LEVEL:</b> A
<b>WEIGHT:</b> 16412 LBS.	<b>MATERIAL:</b> NOTED

1010 NORTH STAR DRIVE  
P.O. BOX 69  
ZUMBROTA, MN 55992-0069

<b>DESCRIPTION:</b> <b>PULL BOX W/ ALUMINUM COVER</b>		
DIMENSIONS ARE IN INCHES TOLERANCES: FRACTIONAL: ± 1/8" ANGULAR: ± 2°	CONTACT INFORMATION: EMAIL: INFO@CONCASTINC.COM PHONE: (507) 732-4095 FAX: (507) 732-4094	SHEET 1 OF 1
<b>PART NUMBER:</b> <b>PB16-84-108-48-MH</b>		