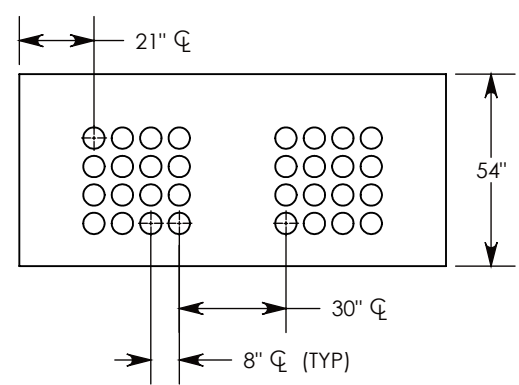
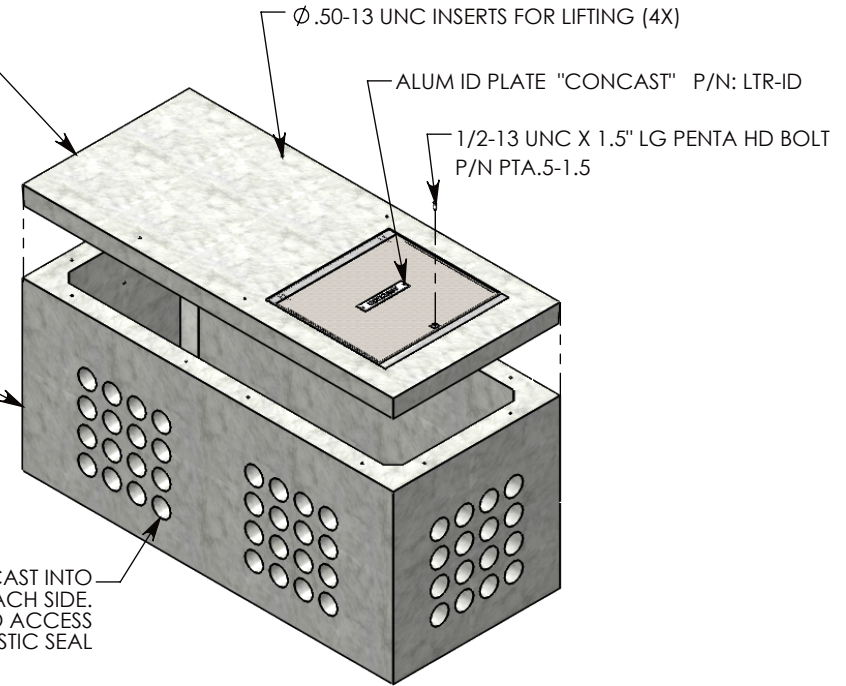


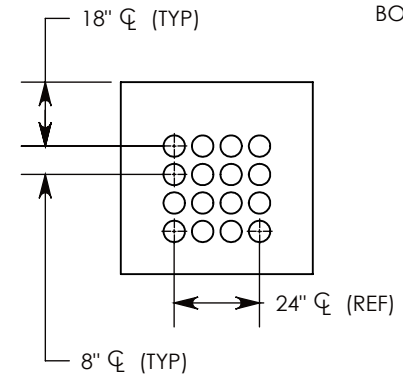
H-20 HEAVY TRAFFIC RATED REINFORCED CONCRETE COVER WITH SPRING-ASSISTED GALVANIZED STEEL LID CAST-IN LID P/N: 54-120-SA ~2,702 LBS.

STEEL REINFORCED CONCRETE PULL BOX P/N: PB166-54-120-54 ~9630 LBS.

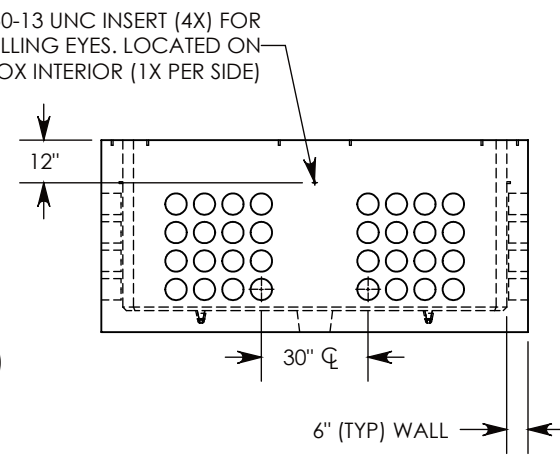
CON-DUCT TERMINATIONS ARE CAST INTO BOX SIDEWALLS. SETS OF 16 ON EACH SIDE. THEY FIT UP TO 6\"/>



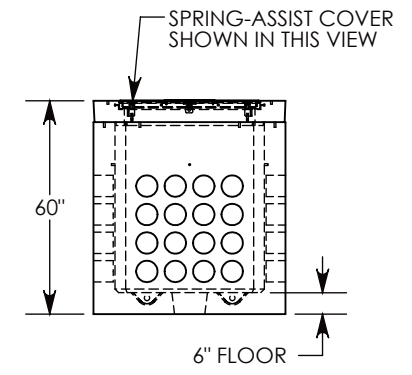
SIDE "A" (HLR)



SIDE "B" (HLR)



SIDE "C"



SIDE "D"

H-20 RATED - 32,000 LB. PER AXLE LOAD.

DRAWN BY: ROBIN FLINT	
DATE: 1/1/2017	REVISION LEVEL: A
WEIGHT: 12333 LBS. W/COVER	MATERIAL: NOTED



CONCAST
 1010 NORTH STAR DRIVE
 P.O. BOX 69
 ZUMBROTA, MN 55992-0069

DESCRIPTION:		
PULL BOX WITH SPRING-ASSIST RSG COVER		
DIMENSIONS ARE IN INCHES	CONTACT INFORMATION:	SHEET 1 OF 1
TOLERANCES:	EMAIL: INFO@CONCASTINC.COM	
FRACTIONAL: ± 1/8"	PHONE: (507) 732-4095	
ANGULAR: ± 2°	FAX: (507) 732-4094	
PART NUMBER:		
PB166-54-120-54-SA		