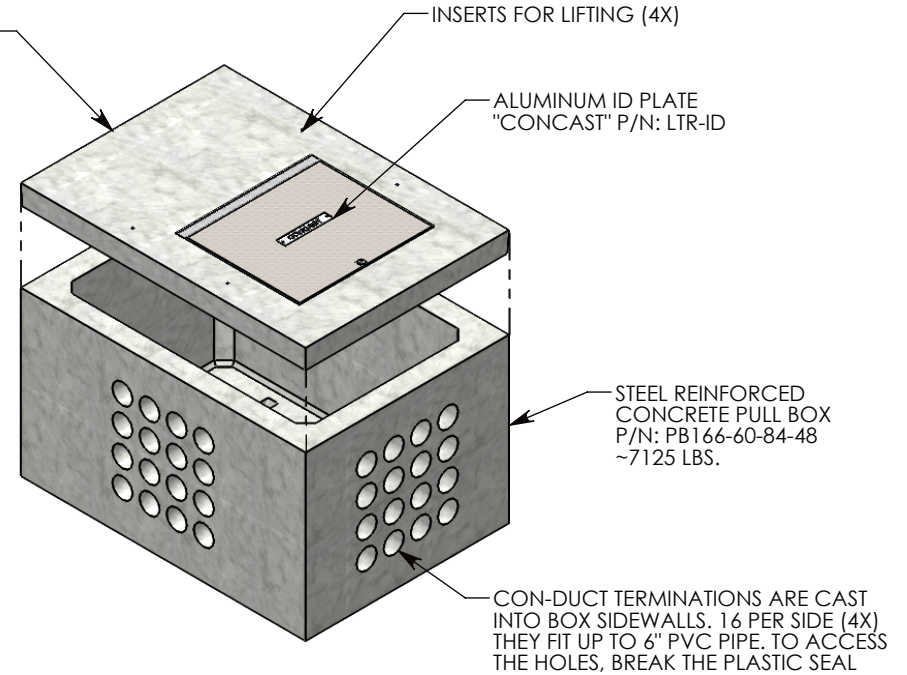
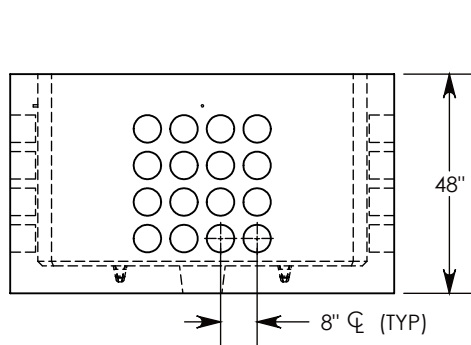


H-20 HEAVY TRAFFIC RATED  
SPRING ASSISTED GALV. STL.  
CAST-IN CONCRETE COVER  
~1,979 LBS. P/N:60-84-SA

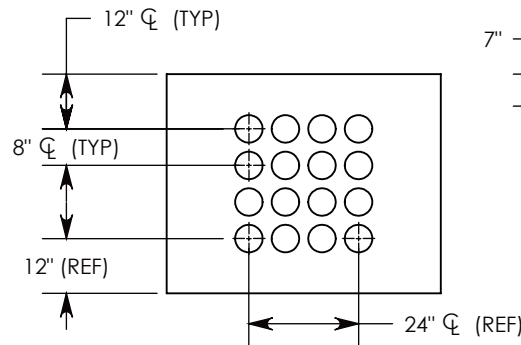


STEEL REINFORCED  
CONCRETE PULL BOX  
P/N: PB166-60-84-48  
~7125 LBS.

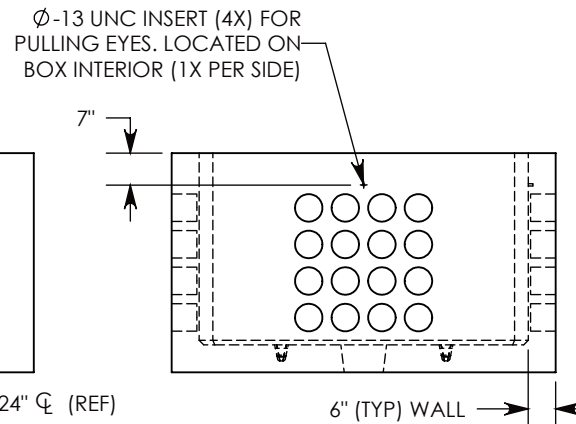
CON-DUCT TERMINATIONS ARE CAST  
INTO BOX SIDEWALLS. 16 PER SIDE (4X)  
THEY FIT UP TO 6" PVC PIPE. TO ACCESS  
THE HOLES, BREAK THE PLASTIC SEAL



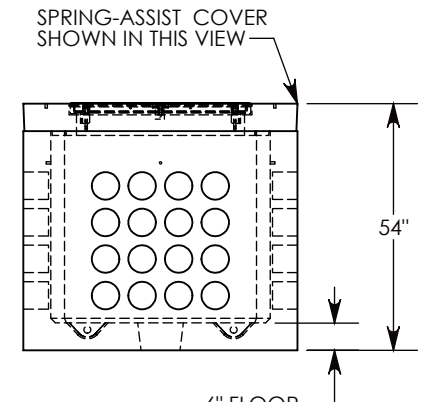
SIDE "A"



SIDE "B" (HLR)



SIDE "C"



SIDE "D"

H-20 RATED - 32,000 LB. PER AXLE LOAD.

**DRAWN BY: ROBIN FLINT**

**DATE: 6/12/2016**

**REVISION LEVEL: 0**

**WEIGHT:**

**MATERIAL:**

**9104 LBS. W/COVER**

**NOTED**



**DESCRIPTION:**

**PULL BOX W/SPRING-ASSIST RSG COVER**

DIMENSIONS ARE IN INCHES  
TOLERANCES:  
FRACTIONAL: ± 1/8"  
ANGULAR: ± 2°

CONTACT INFORMATION:  
EMAIL: INFO@CONCASTINC.COM  
PHONE: (507) 732-4095  
FAX: (507) 732-4094

SHEET 1 OF 1

**PART NUMBER:**

**PB166-60-84-48-SA**