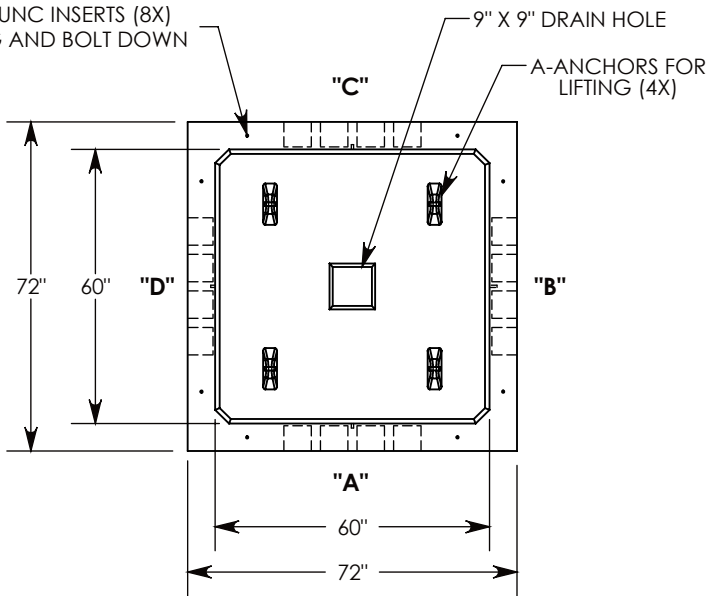


Ø 1/2"-13 UNC INSERTS (8X)
FOR LIFTING AND BOLT DOWN



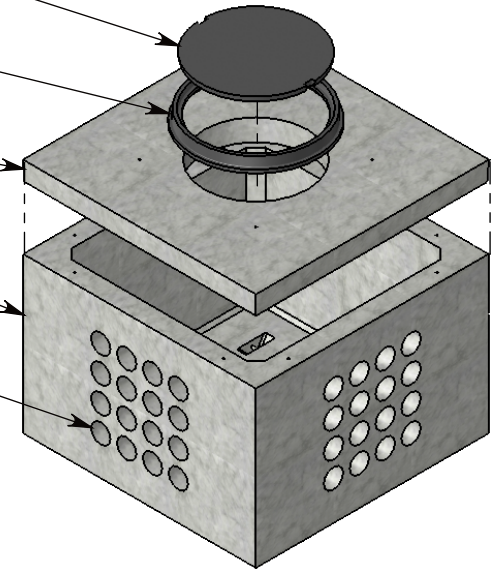
CAST IRON MANHOLE LID
~353 LBS
P/N: CI-38-32-CVR

34 INCH CAST IRON FRAME
~178 LBS
P/N: CI-38-32-FRM

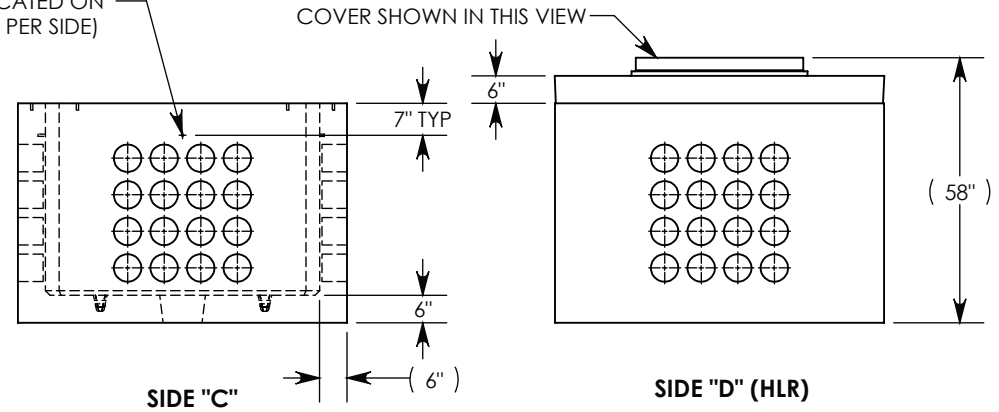
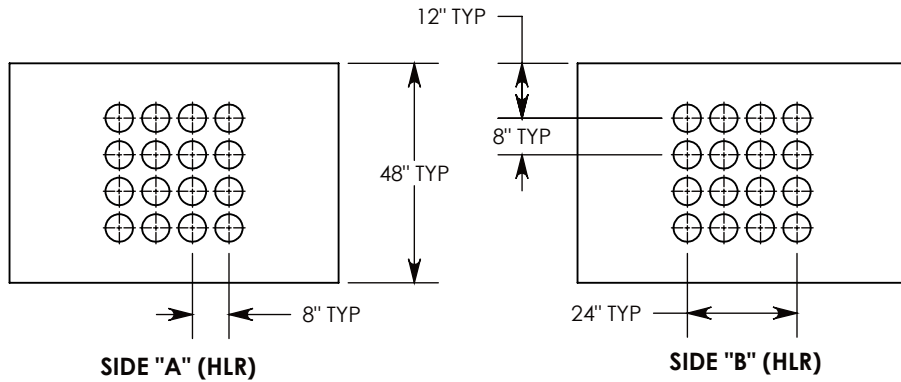
H-20 HEAVY TRAFFIC RATED
CONCRETE MANHOLE COVER
~2344 LBS
P/N: 72-72-MH

CONCRETE PULL BOX
~7195 LBS
P/N: PB166-72-72-48

CON-DUCT TERMINATIONS ARE CAST
INTO BOX SIDEWALLS. 16 PER SIDE (4X)
THEY FIT UP TO 6" PVC PIPE. TO ACCESS
THE HOLES, BREAK THE PLASTIC SEAL



Ø 1/2"-13 UNC INSERT (4X) FOR
PULLING EYES. LOCATED ON
BOX INTERIOR (1X PER SIDE)



AASHTO H-20 RATED - 32,000 LB. SINGLE AXLE LOAD

DRAWN BY: ROBIN FLINT

DATE: 8/20/2018

REVISION LEVEL: B

WEIGHT:

MATERIAL:

10069 LBS. W/COVER

NOTED



DESCRIPTION:

PULL BOX W/MANHOLE COVER

DIMENSIONS ARE IN INCHES

TOLERANCES:
FRACTIONAL: ± 1/8"
ANGULAR: ± 2°

CONTACT INFORMATION:
EMAIL: INFO@CONCASTINC.COM
PHONE: (507) 732-4095
FAX: (507) 732-4094

SHEET 1 OF 1

PART NUMBER:

PB166-72-72-48-MH