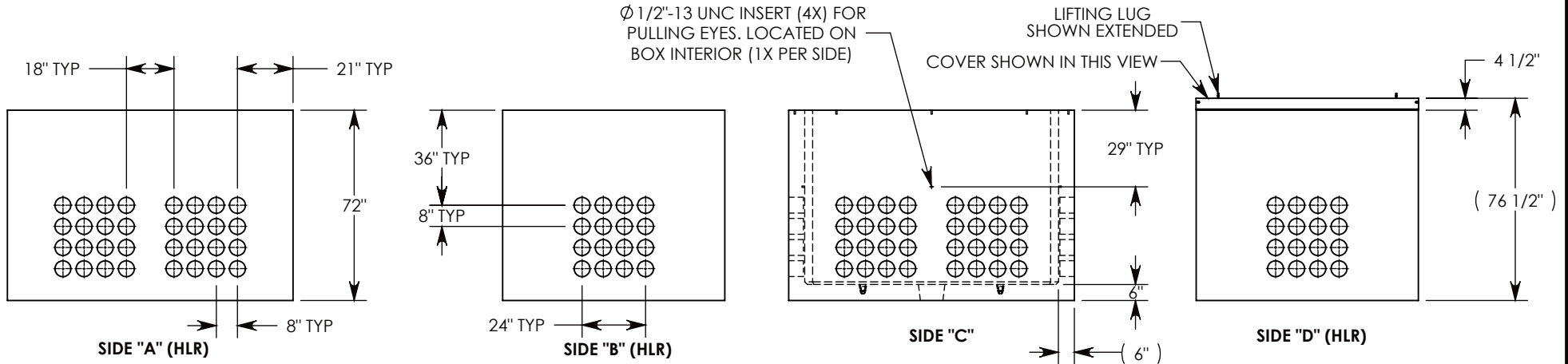
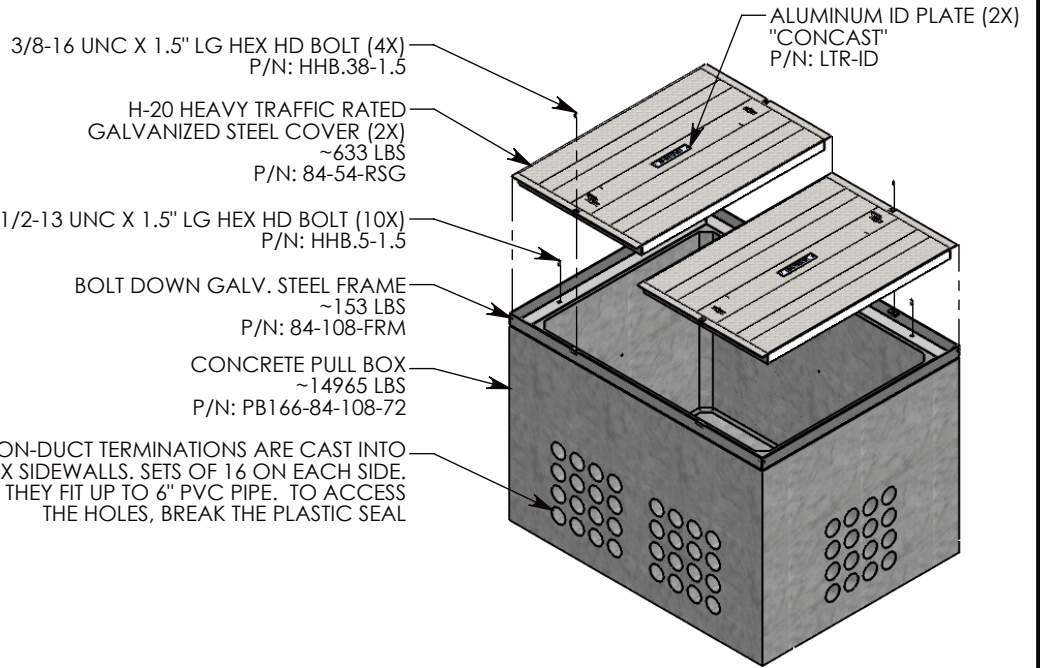
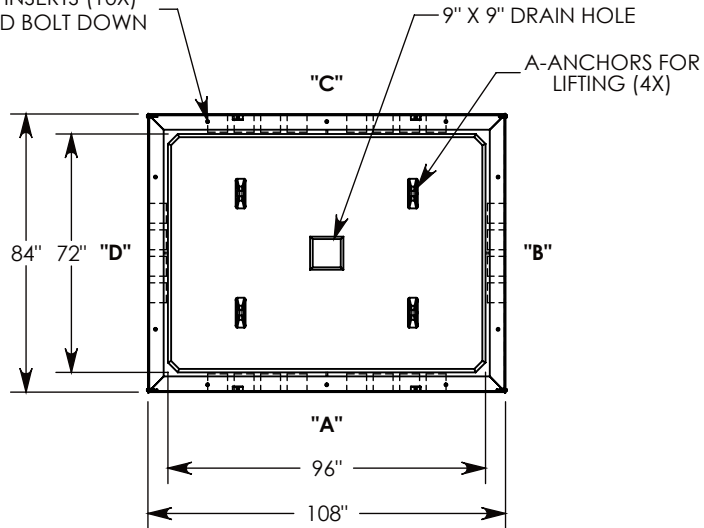


Ø 1/2"-13 UNC INSERTS (10X)  
FOR LIFTING AND BOLT DOWN



NOTE 1: FOR ADDED SECURITY, PENTA HEAD (P/N: PTA.38-1.5) OR SURELOCK BOLTS (P/N: SL.38-1.25) CAN BE ADDED

AASHTO H-20 RATED - 32,000 LB. SINGLE AXLE LOAD

<b>DRAWN BY: MALACHI MLINAR</b>		 1010 NORTH STAR DRIVE P.O. BOX 69 ZUMBROTA, MN 55992-0069	<b>DESCRIPTION:</b>	
<b>DATE: 6/12/2019</b>	<b>REVISION LEVEL: B</b>		<b>PULL BOX W/ ALUMINUM COVER</b>	
<b>WEIGHT:</b>	<b>MATERIAL:</b>		DIMENSIONS ARE IN INCHES TOLERANCES: FRACTIONAL: ± 1/8" ANGULAR: ± 2°	CONTACT INFORMATION: EMAIL: INFO@CONCASTINC.COM PHONE: (507) 732-4095 FAX: (507) 732-4094
<b>16464 LBS.</b>	<b>NOTED</b>	<b>PART NUMBER:</b>		
		<b>PB166-84-108-72-RSG</b>		