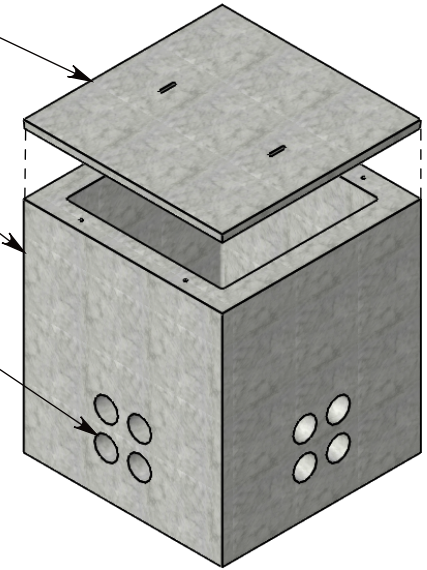


PEDESTRIAN RATED  
FIBERCRETE COVER  
~179 LBS  
P/N: 38-38-C

CONCRETE PULL BOX  
~2063 LBS  
P/N: PB4-38-38-42

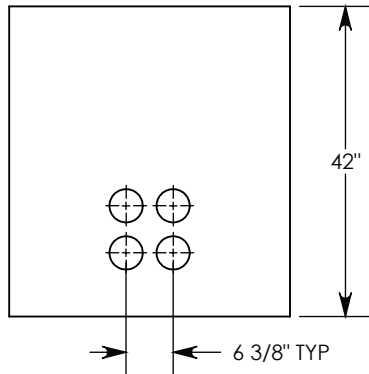
CON-DUCT TERMINATIONS ARE CAST INTO BOX SIDEWALLS. 4 PER SIDE (4X) THEY FIT UP TO 4" PVC PIPE. TO ACCESS THE HOLES, BREAK THE PLASTIC SEAL



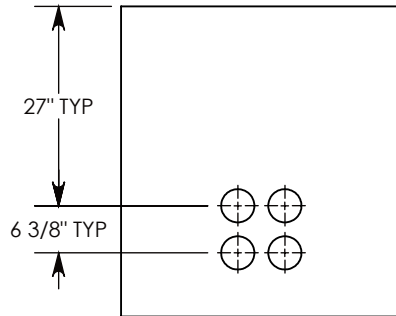
$\phi 1/2$ "-13 UNC INSERT (4X) FOR PULLING EYES. LOCATED ON BOX INTERIOR (1X PER SIDE)

COVER SHOWN IN THIS VIEW

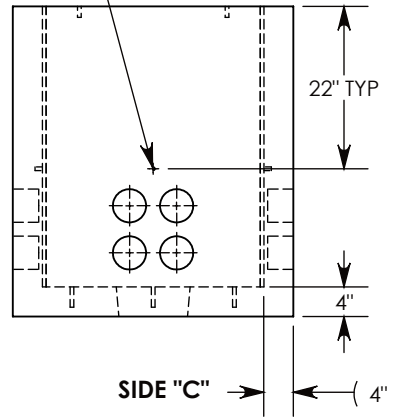
1 1/2" COVER



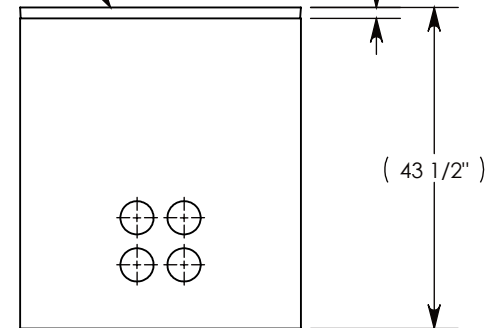
SIDE "A" (HLR)



SIDE "B" (HLR)



SIDE "C" ( 4" )



SIDE "D" (HLR)

NOTE 1: FOR PVC SIZES SMALLER THAN 4", USE CONCAST RC41 (REDUCING COUPLER).

PEDESTRIAN RATED - 200 LB. PER SQ. FOOT

DRAWN BY: ROBIN FLINT

DATE: 5/15/2018

REVISION LEVEL: B

WEIGHT:

2242 LBS. W/COVER

MATERIAL:

NOTED



DESCRIPTION:

**CONCRETE PULL BOX W/FC COVER**

DIMENSIONS ARE IN INCHES  
 TOLERANCES:  
 FRACTIONAL:  $\pm 1/8$ "  
 ANGULAR:  $\pm 2^\circ$

CONTACT INFORMATION:  
 EMAIL: INFO@CONCASTINC.COM  
 PHONE: (507) 732-4095  
 FAX: (507) 732-4094

SHEET 1 OF 1

PART NUMBER:

**PB4-38-38-42-FC**