

3/8"-16 UNC X 2-1/2" LG SURELOCK SS BOLT
P/N: SL.38-2.5

ACCESS COVER PLATE
P/N: AC-VC2

H-20 HEAVY TRAFFIC RATED
GALVANIZED STEEL COVER
~195 LBS
P/N: 38-38-RSGSLP

1/2"-13 UNC X 1.5" LG HEX HD BOLT (4X)
P/N: HHB.5-1.5

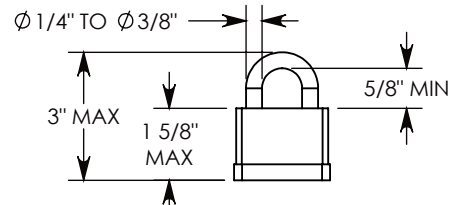
BOLT-DOWN GALV. STEEL FRAME
~70 LBS
P/N: 38-38-FRMSLP

CONCRETE PULL BOX
~2063 LBS
P/N: PB4-38-38-42

CON-DUCT TERMINATIONS ARE CAST
INTO BOX SIDEWALLS. 4 PER SIDE (4X)
THEY FIT UP TO 4" PVC PIPE. TO ACCESS
THE HOLES, BREAK THE PLASTIC SEAL

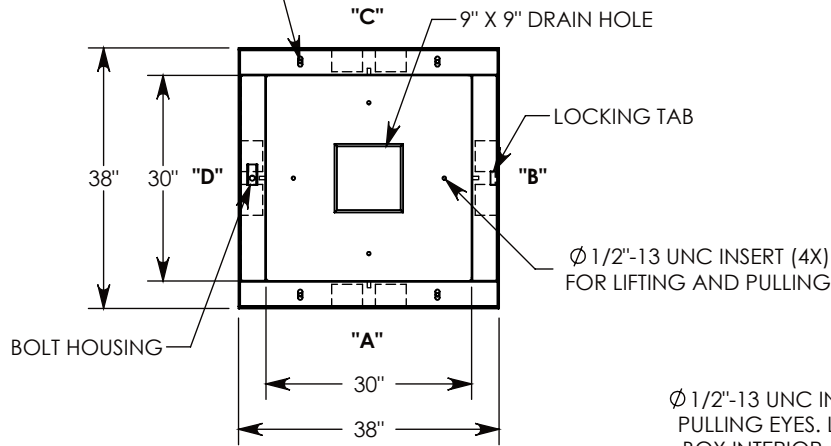
LIFTING LUG
SHOWN EXTENDED

COVER SHOWN IN THIS VIEW

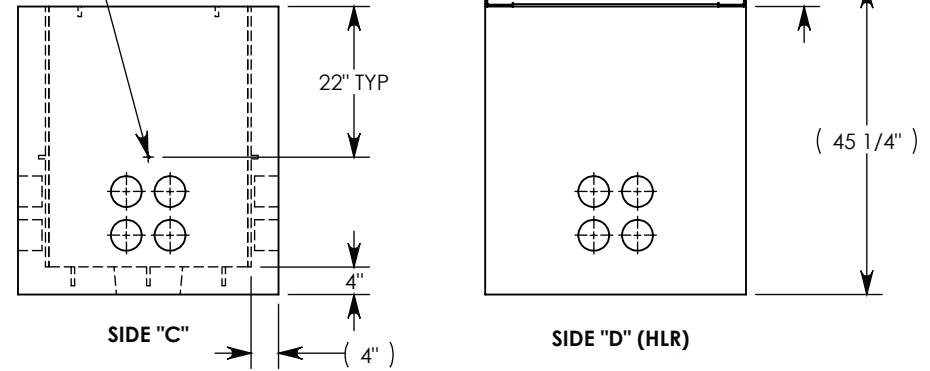
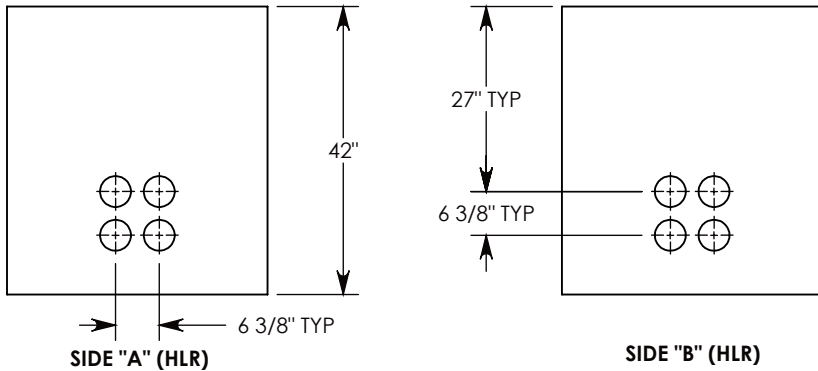


PADLOCK SPECS

Ø 1/2"-13 UNC INSERT (4X)
FOR LIFTING AND BOLT DOWN



Ø 1/2"-13 UNC INSERT (4X) FOR
PULLING EYES. LOCATED ON
BOX INTERIOR (1X PER SIDE)



NOTE 1: FOR PVC SIZES SMALLER THAN 4", USE CONCAST RC41 (REDUCING COUPLER)

AASHTO H-20 RATED - 32,000 LB. SINGLE AXLE LOAD

DRAWN BY: MALACHI MLINAR		 1010 NORTH STAR DRIVE P.O. BOX 69 ZUMBROTA, MN 55992-0069	DESCRIPTION: CONCRETE PULL BOX W/RSG COVER		
DATE: 7/31/2019	REVISION LEVEL: B		DIMENSIONS ARE IN INCHES TOLERANCES: FRACTIONAL: ± 1/8" ANGULAR: ± 2°	CONTACT INFORMATION: EMAIL: INFO@CONCASTINC.COM PHONE: (507) 732-4095 FAX: (507) 732-4094	SHEET 1 OF 1
WEIGHT: 2328 LBS.	MATERIAL: NOTED		PART NUMBER: PB4-38-38-42-RSGSLP		