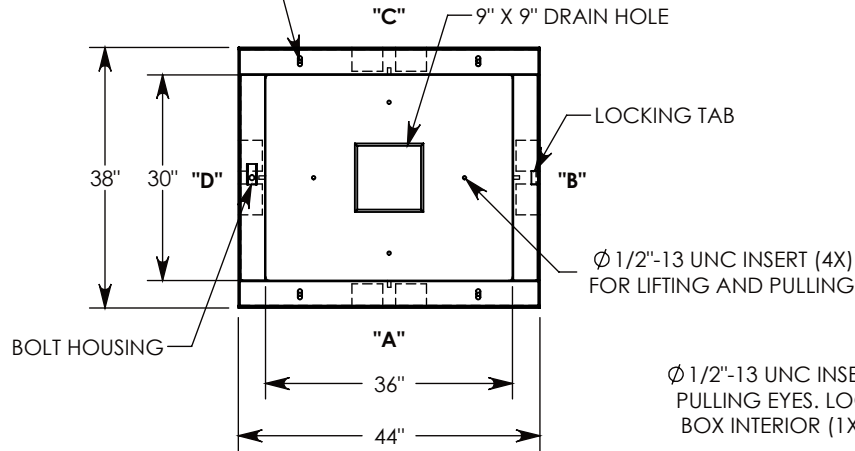
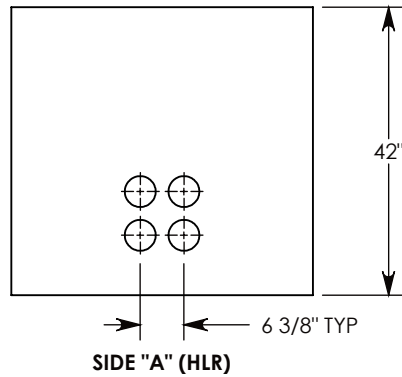


PADLOCK SPECS

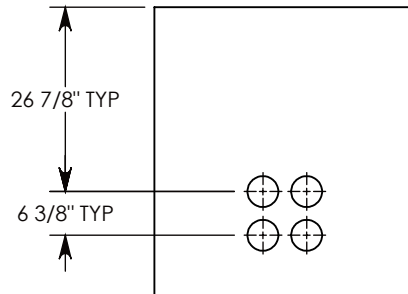
Ø 1/2"-13 UNC INSERT (4X)
FOR LIFTING AND BOLT DOWN



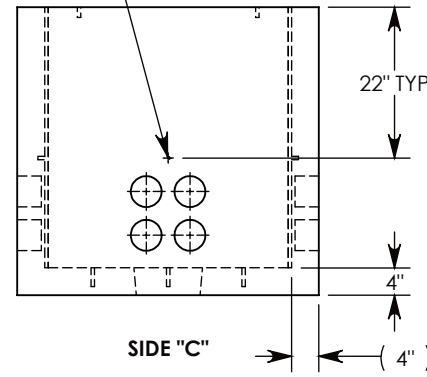
Ø 1/2"-13 UNC INSERT (4X) FOR
PULLING EYES, LOCATED ON
BOX INTERIOR (1X PER SIDE)



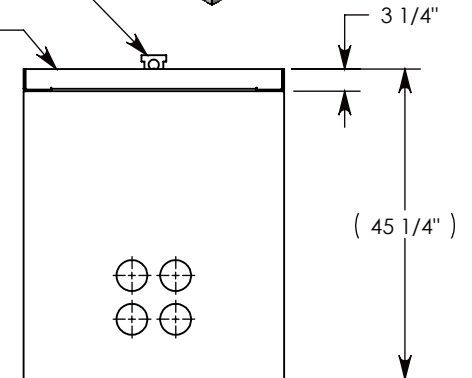
SIDE "A" (HLR)



SIDE "B" (HLR)



SIDE "C"



SIDE "D" (HLR)

3/8"-16 UNC X 2-1/2" LG SURELOCK SS BOLT
P/N: SL.38-2.5

ACCESS COVER PLATE
P/N: AC-VC2

H-20 HEAVY TRAFFIC RATED
GALVANIZED STEEL COVER
~214 LBS
P/N: 38-44-RSGSLP

1/2-13 UNC X 1.5" LG HEX HD BOLT (4X)
P/N: HHB.5-1.5

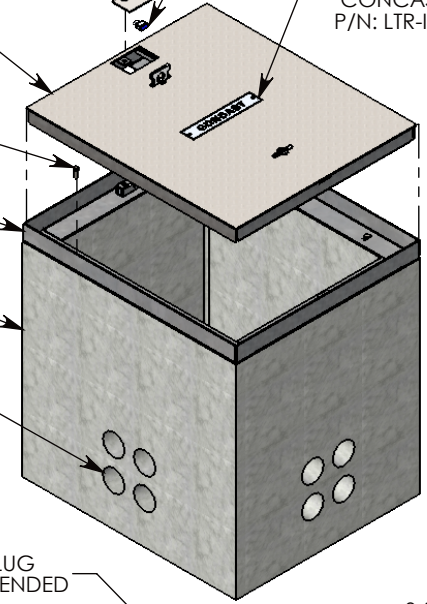
BOLT-DOWN GALV. STEEL FRAME
~75 LBS
P/N: 38-44-FRMSLP

CONCRETE PULL BOX
~2287 LBS
P/N: PB4-38-44-42

CON-DUCT TERMINATIONS ARE CAST
INTO BOX SIDEWALLS. 4 PER SIDE (4X)
THEY FIT UP TO 4" PVC PIPE. TO ACCESS
THE HOLES, BREAK THE PLASTIC SEAL

PADLOCK SUPPLIED
BY OTHERS

ALUM ID PLATE
"CONCAST"
P/N: LTR-ID



LIFTING LUG
SHOWN EXTENDED

COVER SHOWN IN THIS VIEW

NOTE 1: FOR PVC SIZES SMALLER THAN 4", USE CONCAST RC41 (REDUCING COUPLER)

AASHTO H-20 RATED - 32,000 LB. SINGLE AXLE LOAD

| | |
|---------------------------------|---------------------------|
| DRAWN BY: MALACHI MLINAR | |
| DATE: 7/31/2019 | REVISION LEVEL: B |
| WEIGHT: 2577 LBS. | MATERIAL: NOTED |



1010 NORTH STAR DRIVE
P.O. BOX 69
ZUMBROTA, MN 55992-0069

| | | |
|--|--|--------------|
| DESCRIPTION: CONCRETE PULL BOX W/RSG COVER | | |
| DIMENSIONS ARE IN INCHES TOLERANCES: FRACTIONAL: ± 1/8" ANGULAR: ± 2° | CONTACT INFORMATION: EMAIL: INFO@CONCASTINC.COM PHONE: (507) 732-4095 FAX: (507) 732-4094 | SHEET 1 OF 1 |
| PART NUMBER: PB4-38-44-42-RSGSLP | | |