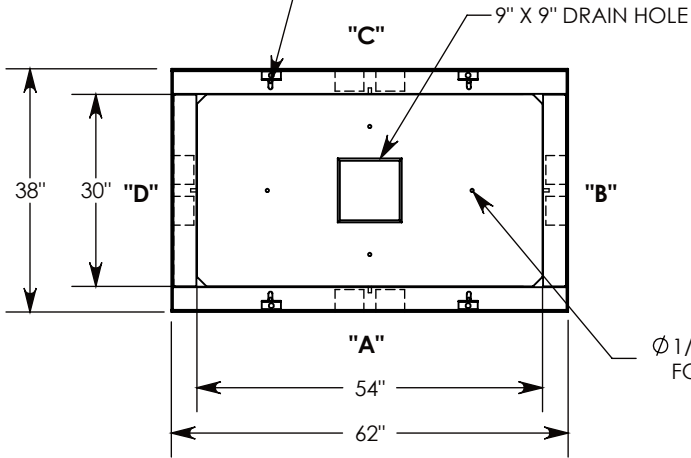


Ø 1/2"-13 UNC INSERTS (4X)
FOR LIFTING AND BOLT DOWN



H-20 HEAVY TRAFFIC RATED
FIBERGLASS COVER (2X)
~99 LBS
P/N: 38-22-HTFG

H-20 HEAVY TRAFFIC RATED
FIBERGLASS COVER
~80 LBS
P/N: 38-18-HTFG

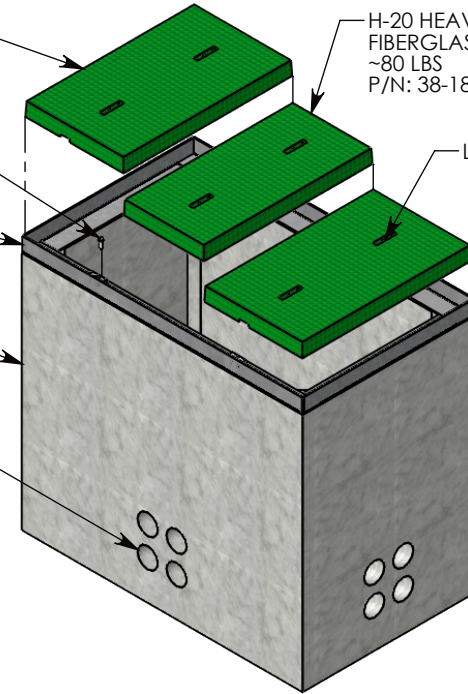
1/2-13 UNC X 1.5" LG HEX HD BOLT
P/N HHB.5-1.5 (4X)

LIFTING PIN

BOLT DOWN GALV. STEEL FRAME
~93 LBS
P/N: 38-62-FRM

CONCRETE PULL BOX
~3640 LBS
P/N: PB4-38-62-53

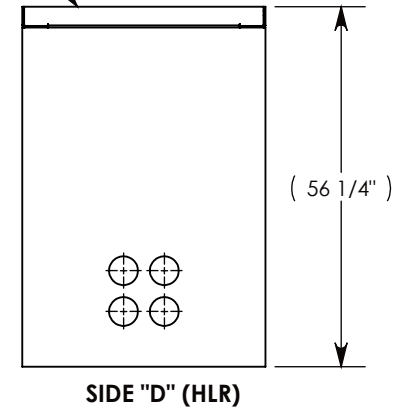
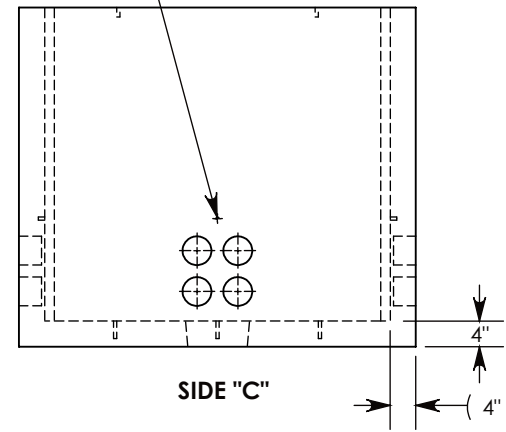
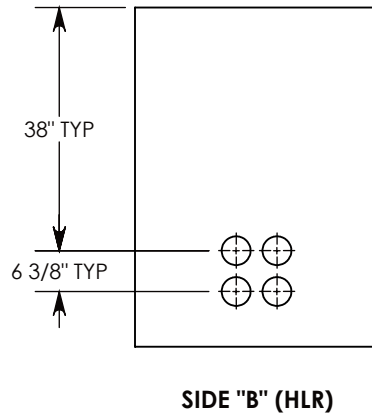
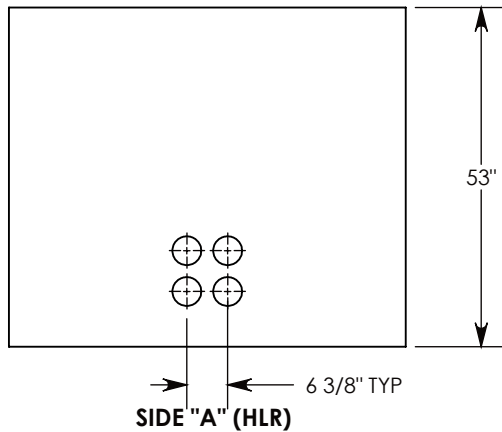
CON-DUCT TERMINATIONS ARE CAST
INTO BOX SIDEWALLS. 4 PER SIDE (4X)
THEY FIT UP TO 4" PVC PIPE. TO ACCESS
THE HOLES, BREAK THE PLASTIC SEAL.



Ø 1/2"-13 UNC INSERTS (4X)
FOR LIFTING & PULLING

Ø 1/2"-13 UNC INSERT (4X) FOR
PULLING EYES. LOCATED ON
BOX INTERIOR (1X PER SIDE)

COVER SHOWN IN THIS VIEW



NOTE 1: FOR PVC SIZES SMALLER THAN 4", USE CONCAST RC41 (REDUCING COUPLER)

AASHTO H-20 RATED - 32,000 LB. SINGLE AXLE LOAD

DRAWN BY: ROBIN FLINT

DATE: 7/2/2018

REVISION LEVEL: B

WEIGHT:

3809 LBS. W/COVER

MATERIAL:

NOTED



DESCRIPTION:

PULL BOX W/FIBERGLASS COVERS

DIMENSIONS ARE IN INCHES
TOLERANCES:
FRACTIONAL: ± 1/8"
ANGULAR: ± 2°

CONTACT INFORMATION:
EMAIL: INFO@CONCASTINC.COM
PHONE: (507) 732-4095
FAX: (507) 732-4094

SHEET 1 OF 1

PART NUMBER:

PB4-38-62-53-HTFG