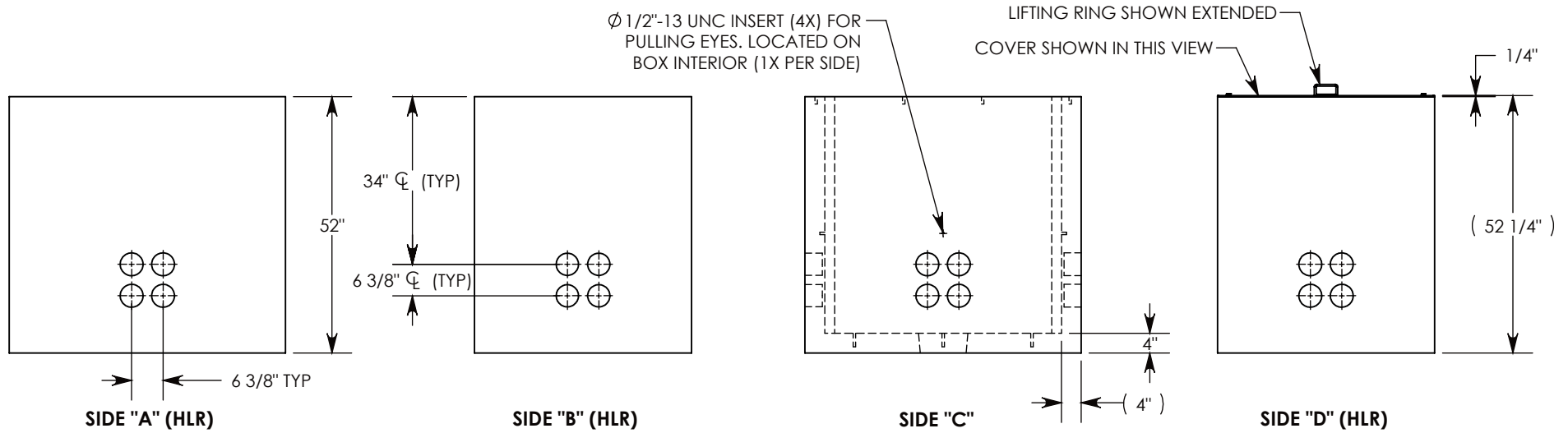
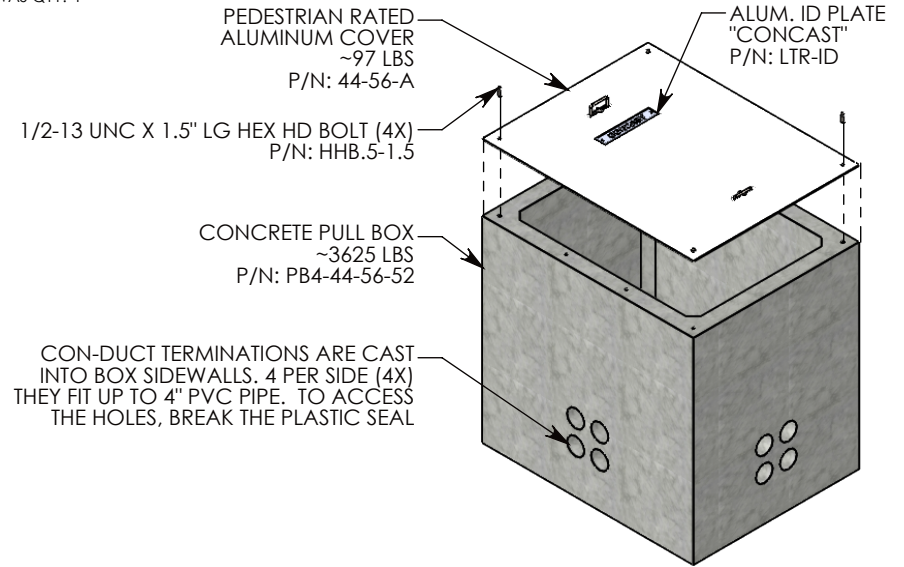
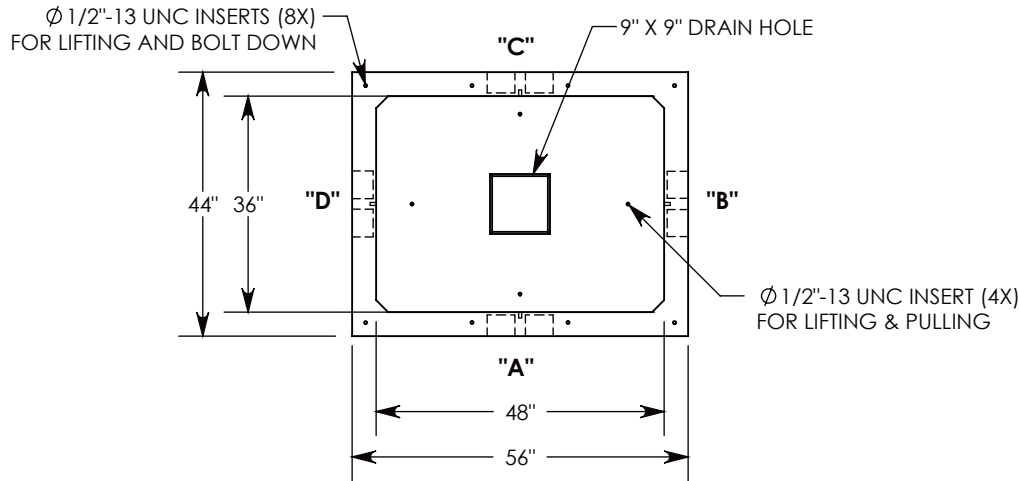


REV. B - MKM - 5/30/2018 - UPDATED MODEL & DRAWING

REV. C - SIC - 2/26/2020 - UPDATED DRAWING; UPDATED ALUMINUM COVER WEIGHT, WAS 95 LBS; UPDATED BOLT DOWN INSERTS QTY: 8, WAS QTY: 4



NOTE 1: FOR PVC SIZES SMALLER THAN 4", USE CONCAST RC41 (REDUCING COUPLER)  
 NOTE 2: FOR ADDED SECURITY, PENTA HEAD BOLTS (P/N: PTA.5-1.5) CAN BE ADDED

PEDESTRIAN RATED - 200 LB. PER SQ. FOOT

DRAWN BY: <b>ROBIN FLINT</b>	
CREATED DATE: <b>3/26/2010</b>	REVISION LEVEL: <b>C</b>
SAVED DATE: <b>2/26/2020</b>	SAVED BY: <b>scallahan</b>
WEIGHT: <b>3722 LBS.</b>	MATERIAL: <b>NOTED</b>

1010 NORTH STAR DRIVE  
 P.O. BOX 69  
 ZUMBROTA, MN 55992-0069

DESCRIPTION: <b>PULL BOX W/ ALUMINUM COVER</b>		SHEET 1 OF 1
DIMENSIONS ARE IN INCHES TOLERANCES: FRACTIONAL: $\pm 1/8"$ ANGULAR: $\pm 2^\circ$	CONTACT INFORMATION: EMAIL: <a href="mailto:INFO@CONCASTINC.COM">INFO@CONCASTINC.COM</a> PHONE: (507) 732-4095 FAX: (507) 732-4094	
PART NUMBER: <b>PB4-44-56-52-A</b>		