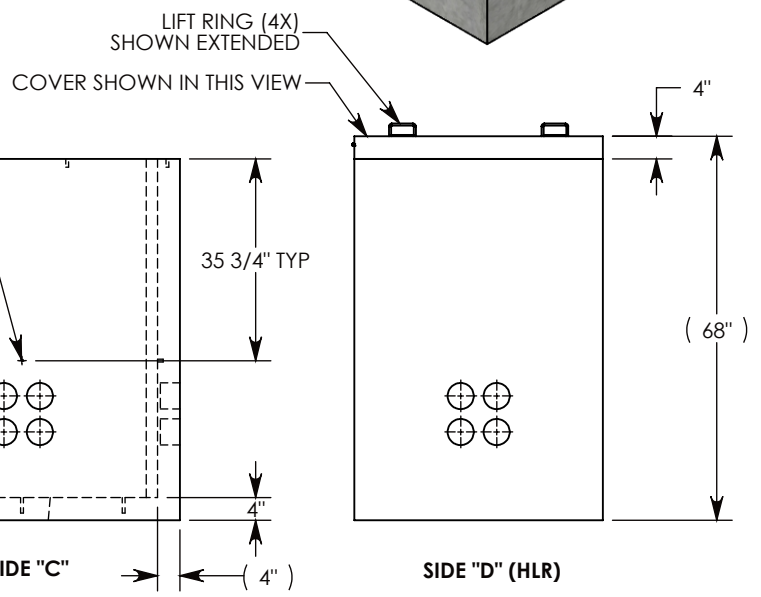
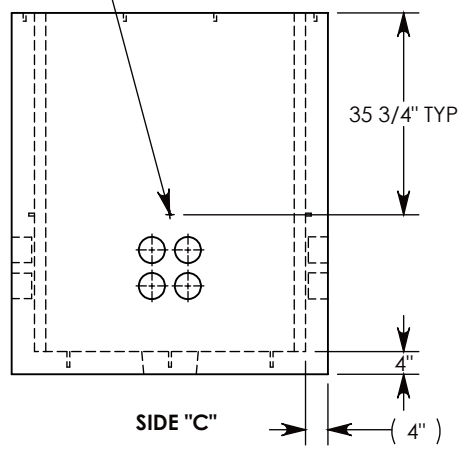


Ø 1/2"-13 UNC INSERT (4X) FOR PULLING EYES. LOCATED ON BOX INTERIOR (1X PER SIDE)



**NOTE 1:** FOR PVC SIZES SMALLER THAN 4", USE CONCAST RC41 (REDUCING COUPLER).  
**NOTE 2:** FOR ADDED SECURITY, PENTA HEAD (P/N: PTA.38-2.5) OR SURELOCK BOLTS (P/N: SL.38-2.5) CAN BE ADDED

AASHTO H-10 RATED – 16,000 LB. SINGLE AXLE LOAD

|                                 |                          |
|---------------------------------|--------------------------|
| <b>DRAWN BY: MALACHI MLINAR</b> |                          |
| <b>DATE: 3/22/2019</b>          | <b>REVISION LEVEL: 0</b> |
| <b>WEIGHT: 4541 LBS.</b>        | <b>MATERIAL: NOTED</b>   |

1010 NORTH STAR DRIVE  
P.O. BOX 69  
ZUMBROTA, MN 55992-0069

|  |  |              |
|--|--|--------------|
| <b>DESCRIPTION:</b><br><b>PULL BOX W/ HALT COVER</b>                           |  |              |
| DIMENSIONS ARE IN INCHES<br>TOLERANCES:<br>FRACTIONAL: ± 1/8"<br>ANGULAR: ± 2° | CONTACT INFORMATION:<br>EMAIL: INFO@CONCASTINC.COM<br>PHONE: (507) 732-4095<br>FAX: (507) 732-4094 | SHEET 1 OF 1 |
| <b>PART NUMBER:</b><br><b>PB4-44-56-64-HALT</b>                                |  |              |