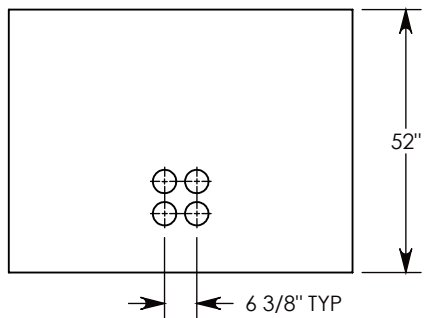


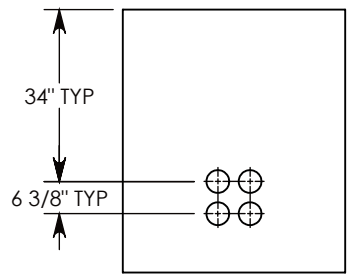
Ø 1/2"-13 UNC INSERT (4X) FOR PULLING EYES. LOCATED ON BOX INTERIOR (1X PER SIDE)

LIFT RING (2X) SHOWN EXTENDED

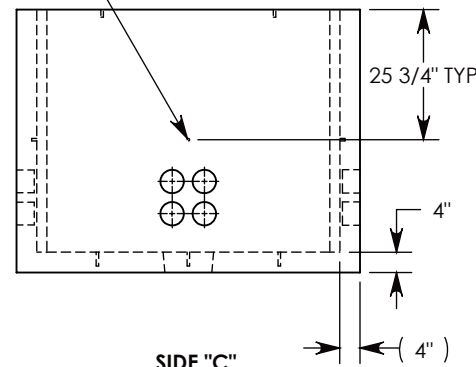
COVER SHOWN IN THIS VIEW



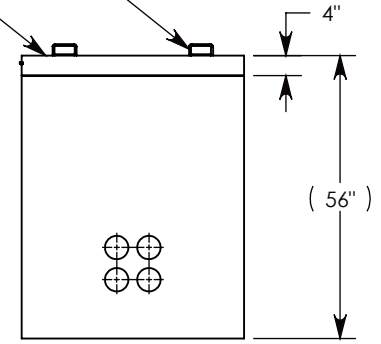
SIDE "A" (HLR)



SIDE "B" (HLR)



SIDE "C"



SIDE "D" (HLR)

**NOTE 1:** FOR ADDED SECURITY, PENTA HEAD (P/N: PTA.38-2.5) OR SURELOCK BOLTS (P/N: SL.38-2.5) CAN BE ADDED  
**NOTE 2:** FOR PVC SIZES SMALLER THAN 4", USE CONCAST RC41 (REDUCING COUPLER).

PEDESTRIAN RATED - 200 LB. PER SQ. FOOT

<b>DRAWN BY: SAMUEL CALLAHAN</b>	
<b>DATE: 5/30/2019</b>	<b>REVISION LEVEL: 0</b>
<b>WEIGHT: 4350 LBS.</b>	<b>MATERIAL: NOTED</b>

**CONCAST**  
1010 NORTH STAR DRIVE  
P.O. BOX 69  
ZUMBROTA, MN 55992-0069

<b>DESCRIPTION:</b> <b>CONCRETE PULL BOX W/ HA COVER</b>		
DIMENSIONS ARE IN INCHES TOLERANCES: FRACTIONAL: ± 1/8" ANGULAR: ± 2°	CONTACT INFORMATION: EMAIL: INFO@CONCASTINC.COM PHONE: (507) 732-4095 FAX: (507) 732-4094	SHEET 1 OF 1
<b>PART NUMBER:</b> <b>PB4-44-68-52-HA</b>		