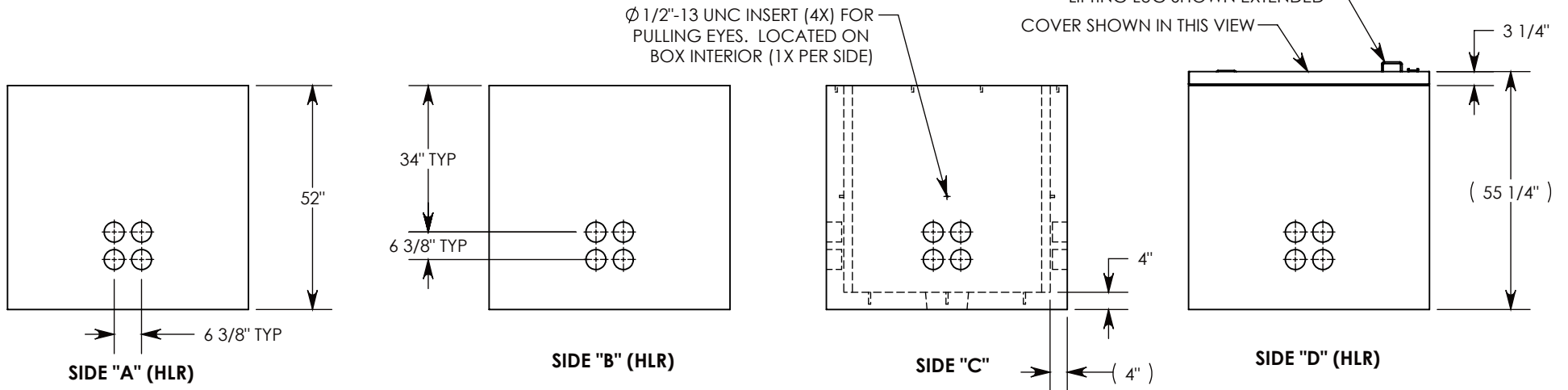
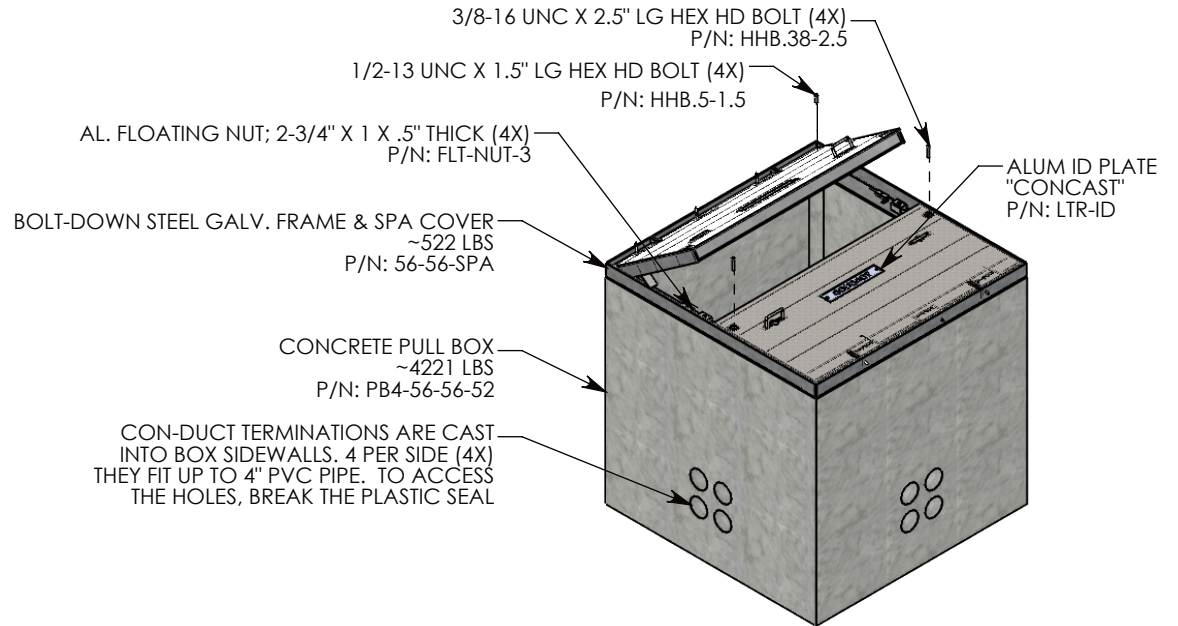
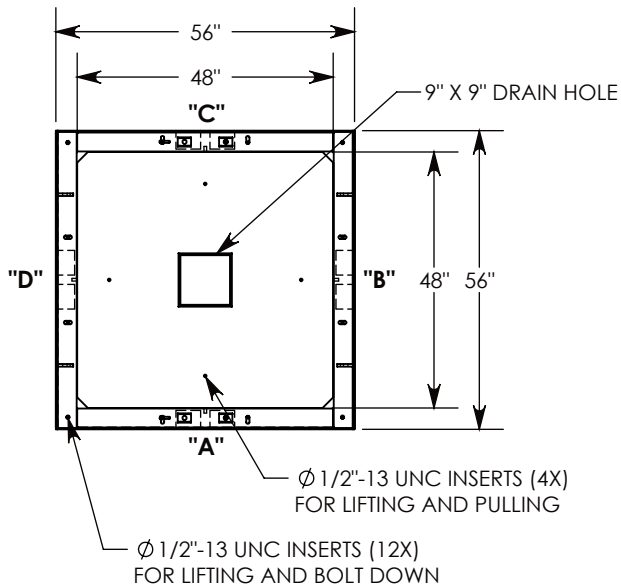


REV. A - RAL - 2/15/2018 - UPDATED COVER
 REV. B - MKM - 9/4/2018 - UPDATED NOTES & DIMENSIONS
 REV. C - MKM - 10/26/2018 - UPDATED NOTES
 REV. D - SIC - 10/11/2019 - UPDATED NOTES; 1/2"-13 UNC BOLT DOWN INSERTS, QTY: 12 WAS QTY: 4
 ;UPDATED COVER BOLT LENGTH AND ADDED SECURITY NOTE



NOTE 1: FOR PVC SIZES SMALLER THAN 4", USE CONCAST RC41 (REDUCING COUPLER)
NOTE 2: FOR ADDED SECURITY, PENTA HEAD (P/N: PTA.38-2.5) OR SURELOCK BOLTS (P/N: SL.38-2.5) CAN BE ADDED

AASHTO H-20 RATED - 32,000 LB. SINGLE AXLE LOAD

DRAWN BY: ROBIN FLINT	
CREATED DATE: 3/26/2010	REVISION LEVEL: D
SAVED DATE: 10/11/2019	SAVED BY: scallahan
WEIGHT: 4752 LBS.	MATERIAL: NOTED

1010 NORTH STAR DRIVE
 P.O. BOX 69
 ZUMBROTA, MN 55992-0069

DESCRIPTION: PULL BOX W/SPRING ASSIST GALV STL COVER		
DIMENSIONS ARE IN INCHES TOLERANCES: FRACTIONAL: ± 1/8" ANGULAR: ± 2°	CONTACT INFORMATION: EMAIL: INFO@CONCASTINC.COM PHONE: (507) 732-4095 FAX: (507) 732-4094	SHEET 1 OF 1
PART NUMBER: PB4-56-56-52-SPA		