

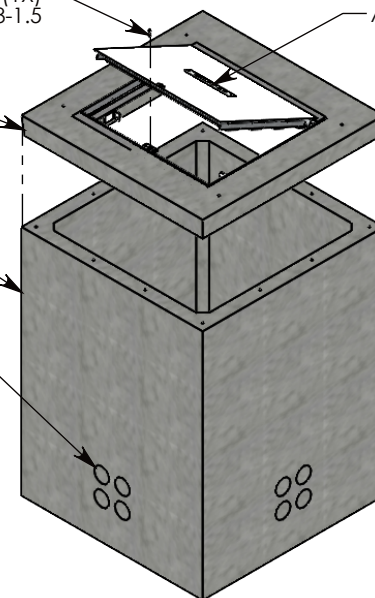
3/8-16 UNC X 1.5" LG HEX HD BOLT (1X)
P/N: HHB.38-1.5

ALUM ID PLATE "CONCAST"
P/N: LTR-ID

H-20 HEAVY TRAFFIC RATED
SPRING ASSISTED GALV. STL.
CAST-IN CONCRETE COVER
~983 LBS.
P/N: 56-56-SA

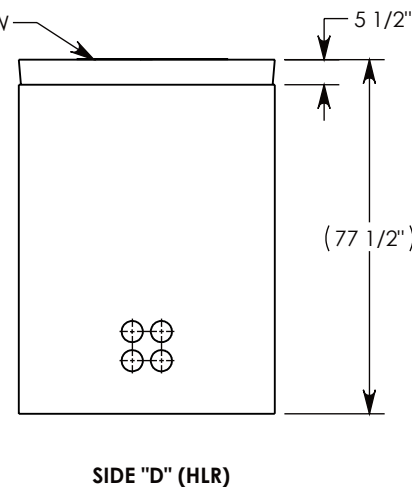
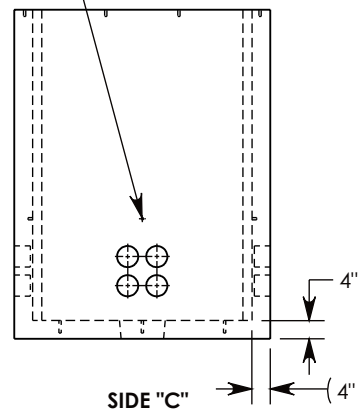
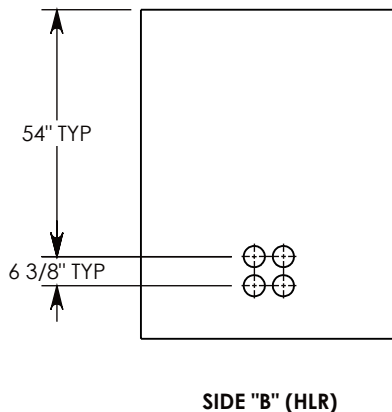
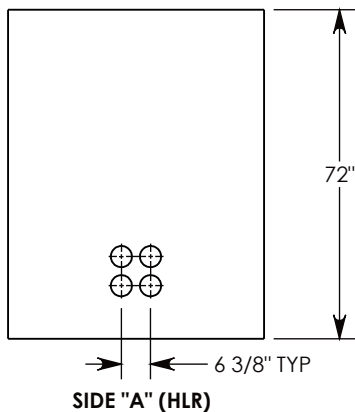
CONCRETE PULL BOX
~5597 LBS
P/N: PB4-56-56-72

CON-DUCT TERMINATIONS ARE CAST
INTO BOX SIDEWALLS. 4 PER SIDE
THEY FIT UP TO 4" PVC PIPE. TO ACCESS
THE HOLES, BREAK THE PLASTIC SEAL.



Ø 1/2"-13 UNC INSERT (4X) FOR
PULLING EYES. LOCATED ON
BOX INTERIOR (1X PER SIDE)

COVER SHOWN IN THIS VIEW



NOTE 1: FOR ADDED SECURITY, PENTA HEAD (P/N: PTA.38-1.5) OR SURELOCK BOLTS (P/N: SL.38-1.5) CAN BE ADDED

NOTE 2: FOR PVC SIZES SMALLER THAN 4", USE CONCAST RC41 (REDUCING COUPLER).

AASHTO H-20 RATED – 32,000 LB. SINGLE AXLE LOAD

DRAWN BY: SAMUEL CALLAHAN	
CREATED DATE: 6/3/2019	REVISION LEVEL: 0
SAVED DATE: 10/10/2023	SAVED BY: scallahan
WEIGHT: 6581 LBS.	MATERIAL: NOTED



1010 NORTH STAR DRIVE
P.O. BOX 69
ZUMBROTA, MN 55992-0069

DESCRIPTION:		SHEET 1 OF 1
PULL BOX W/SPRING-ASSIST COVER		
DIMENSIONS ARE IN INCHES TOLERANCES: FRACTIONAL: ± 1/8" ANGULAR: ± 2°	CONTACT INFORMATION: EMAIL: INFO@CONCASTINC.COM PHONE: (507) 732-4095 FAX: (507) 732-4094	
PART NUMBER:		
PB4-56-56-72-SA		