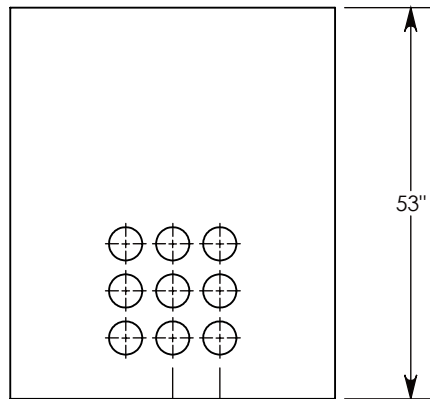


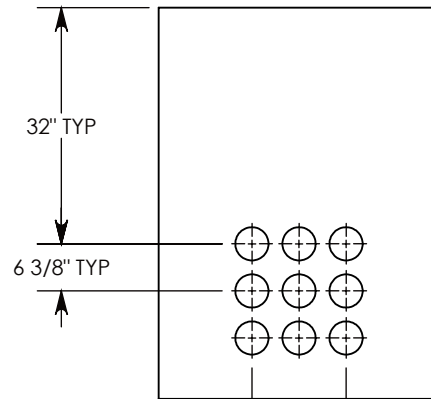
Ø 1/2"-13 UNC INSERT (4X) FOR PULLING EYES. LOCATED ON BOX INTERIOR (1X PER SIDE)

COVER SHOWN IN THIS VIEW

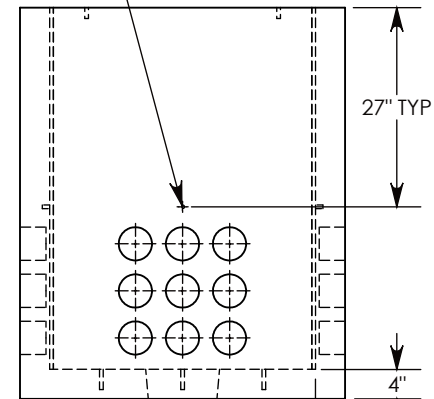
1 1/4" COVER



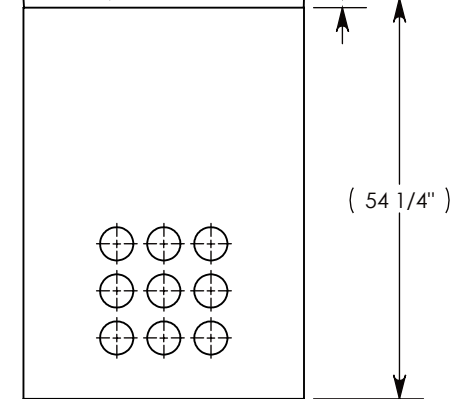
SIDE "A" (HLR)



SIDE "B" (HLR)



SIDE "C"



SIDE "D" (HLR)

**NOTE 1:** FOR PVC SIZES SMALLER THAN 4", USE CONCAST RC41 (REDUCING COUPLER).

PEDESTRIAN RATED - 200 LB. PER SQ. FOOT

|                                  |                          |
|----------------------------------|--------------------------|
| <b>DRAWN BY: ROBIN FLINT</b>     |                          |
| <b>DATE: 5/16/2018</b>           | <b>REVISION LEVEL: B</b> |
| <b>WEIGHT: 2880 LBS. W/COVER</b> | <b>MATERIAL: NOTED</b>   |



1010 NORTH STAR DRIVE  
P.O. BOX 69  
ZUMBROTA, MN 55992-0069

|  |  |
|--|--|
| <b>DESCRIPTION:</b><br><b>CONCRETE PULL BOX W/FC COVER</b>                     |  |
| DIMENSIONS ARE IN INCHES<br>TOLERANCES:<br>FRACTIONAL: ± 1/8"<br>ANGULAR: ± 2° | CONTACT INFORMATION:<br>EMAIL: INFO@CONCASTINC.COM<br>PHONE: (507) 732-4095<br>FAX: (507) 732-4094 |
| <b>PART NUMBER:</b><br><b>PB9-38-44-53-FC</b>                                  |  |