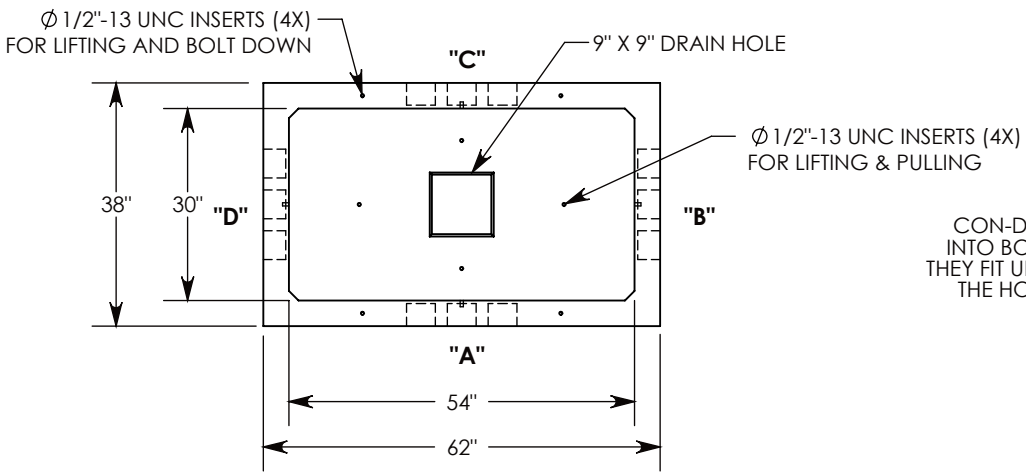
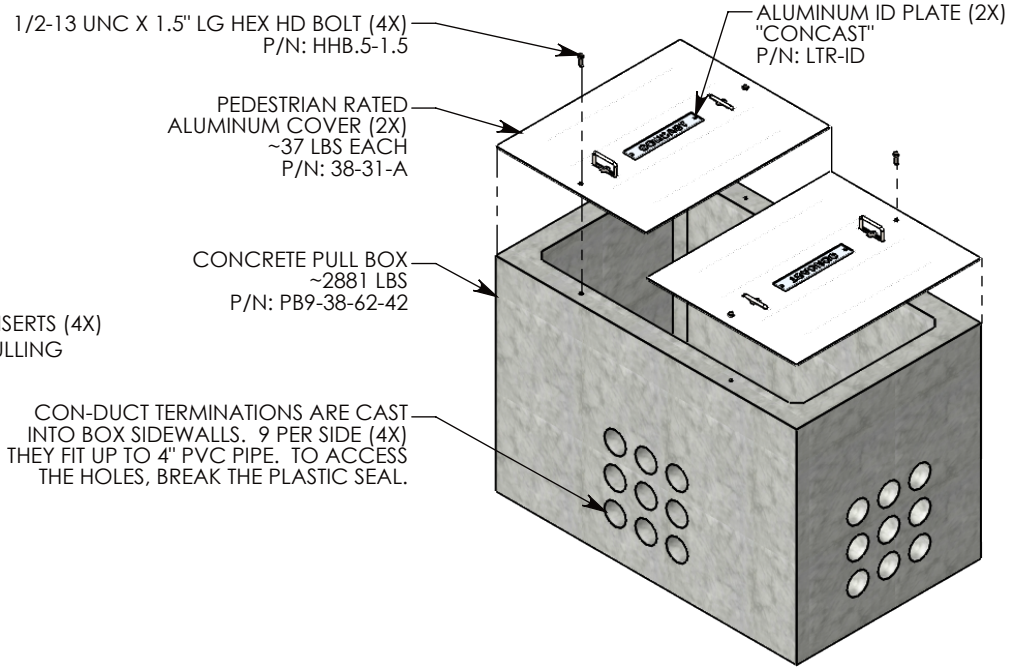
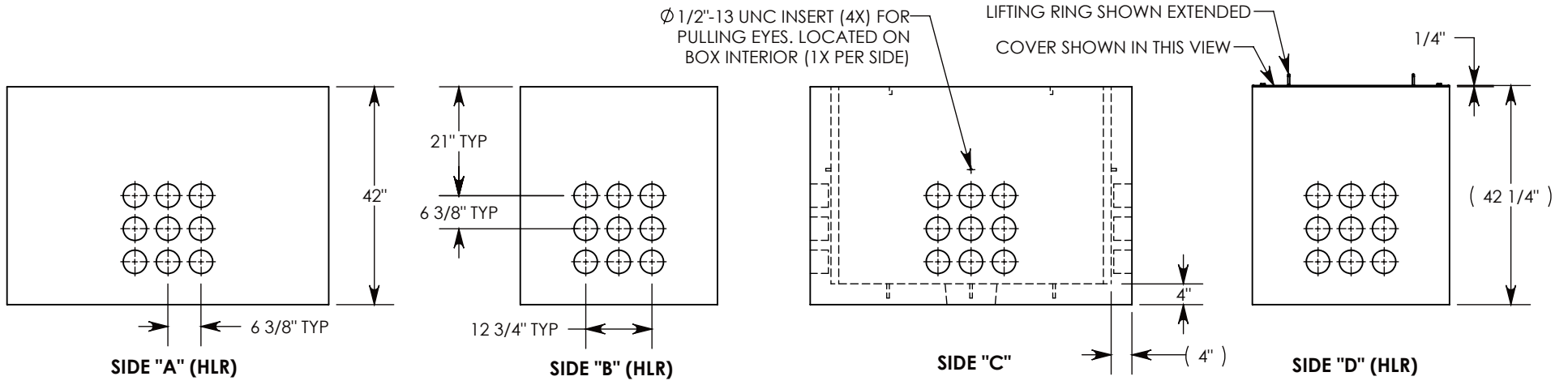


REV. B - MKM - 5/24/2018 - UPDATED MODEL & DRAWING  
 REV. C - SIC - 2/19/2020 - UPDATED DRAWING; UPDATED ALUMINUM COVER WEIGHT, WAS 35 LBS



CON-DUCT TERMINATIONS ARE CAST INTO BOX SIDEWALLS. 9 PER SIDE (4X) THEY FIT UP TO 4\"/>



**NOTE 1:** FOR PVC SIZES SMALLER THAN 4", USE CONCAST RC41 (REDUCING COUPLER)  
**NOTE 2:** FOR ADDED SECURITY, PENTA HEAD BOLTS (P/N: PTA.5-1.5) CAN BE ADDED

PEDESTRIAN RATED - 200 LB. PER SQ. FOOT

<b>DRAWN BY:</b> ROBIN FLINT	
<b>CREATED DATE:</b> 4/16/2010	<b>REVISION LEVEL:</b> C
<b>SAVED DATE:</b> 2/19/2020	<b>SAVED BY:</b> scallahan
<b>WEIGHT:</b> 2956 LBS.	<b>MATERIAL:</b> NOTED



1010 NORTH STAR DRIVE  
 P.O. BOX 69  
 ZUMBROTA, MN 55992-0069

<b>DESCRIPTION:</b> CONCRETE PULL BOX W/AL. COVERS		SHEET 1 OF 1
DIMENSIONS ARE IN INCHES TOLERANCES: FRACTIONAL: ± 1/8" ANGULAR: ± 2°	CONTACT INFORMATION: EMAIL: INFO@CONCASTINC.COM PHONE: (507) 732-4095 FAX: (507) 732-4094	
<b>PART NUMBER:</b> PB9-38-62-42-A		